

ESP02A

Pilot control device in Pedal design

Foot pedal 1 axis

DT.ESP02A.01

FUNCTIONS AND BENEFITS

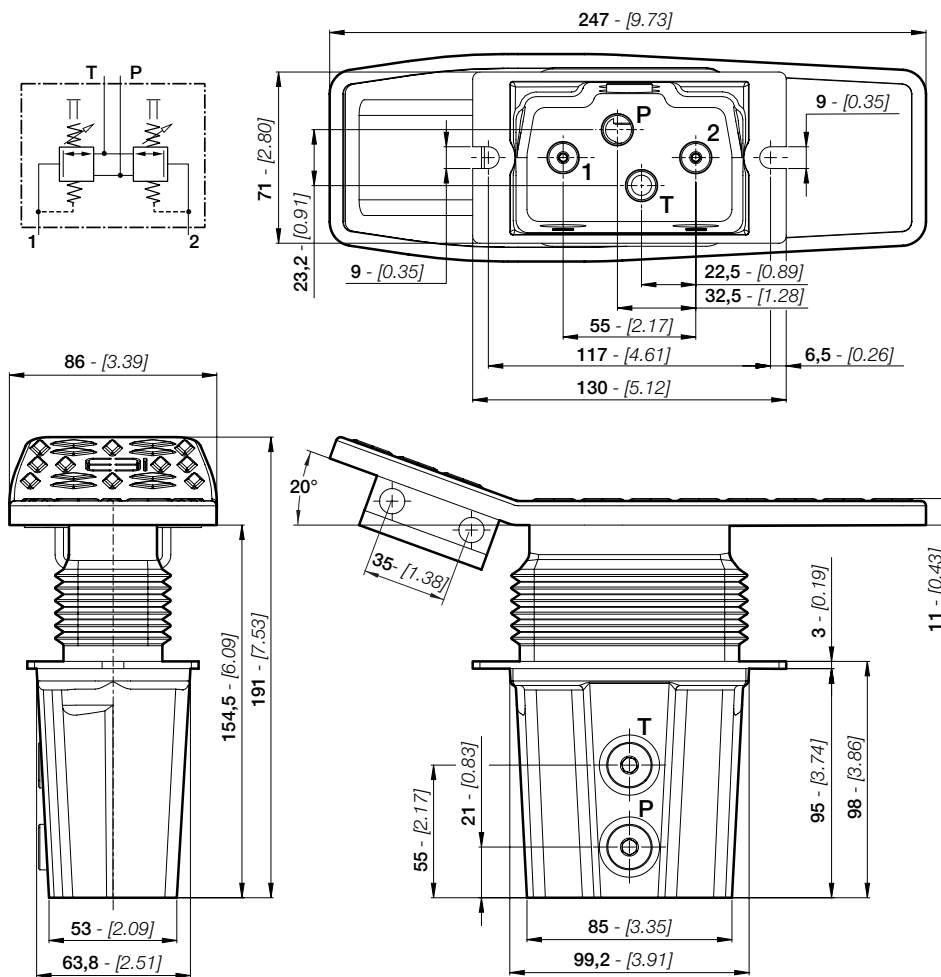
- Progressive and sensitive operation.
- Precise control and precise metering.
- Low operating effort.
- Optimized angular movements of foot pedal.
- Control element protected with rubber bellow.
- High durability and maintenance free.

TECHNICAL DATA

Maximum input pressure:
100 bar - [1450 psi]

Max backpressure on tank line:
3 bar - [43.5]

Control max flow on ports:
15 l/min - [4 GPM]



DIMENSIONS

The dimensional drawing represents a ESP02A with standard assembly and BSP connections. Differential pedals are available: flat and bent for an optimal ergonomic solution.

TYPE	BSP (ISO 1179-1)	UN-UNF (ISO 11926-1)
INLET - P	G 1/4	9/16" - 18 UNF
PORTS - 1/2	G 1/4	9/16" - 18 UNF
OUTLET - T	G 1/4	9/16" - 18 UNF

ESP02A

Pilot control device in Pedal design

Foot pedal 1 axis



TYPICAL CURVES

All ESP02A servocontrols are equipped with 2 metering curves (one metering curve each service port). ESP02A tilting foot controls imply the use of limited stroke dedicated curves guaranteeing improved control ergonomics..

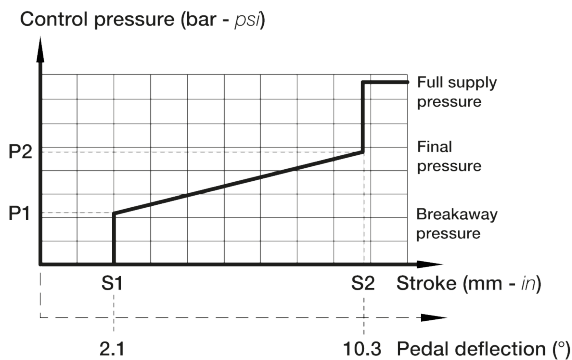
The metering curve classification depends on the control pressure (bar - psi) and stroke length (mm - in).

Currently two types of metering curves are available:

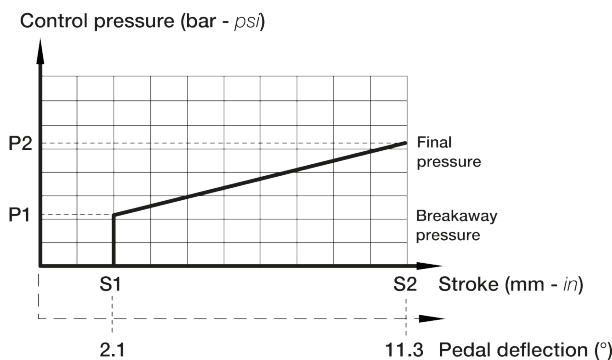
- **Linear curve with step (MD type)**
- **Linear curve without step (ME type)**

All metering curves are interchangeable.

MD linear curve with step



ME linear curve without step



APPLICATIONS

EBI motion controls servocontrols foot pedals are used to control the work and drive hydraulics of modern mobile machines with high accuracy, safety and optimal performance.

ESP02A are suited for specialized applications for a variety of mobile equipment such as:



OPTIONAL FEATURES

- ESP02A can be supplied also with dumping system; are required two special metering curves:
 - Dumping system with step (MF type)**
 - Dumping system without step (MG type).**