



Double axis pilot control valve

ESJ02A

Rev. 04 • September, 2024

TECHNICAL CATALOGUE



.....
Servocontrols



HISTORY OF REVISIONS

DATE	PAGE	CHANGED	REV.
December, 2018	-	First edition	00
January, 2019	18-19-20-26	Updated controls actuation and modified rod levers	01
November, 2019	18-19-29-30	Modified MV-MZ diagrams Added configurations handle	02
May, 2023	18-19-22-27-29-30	Updated metering curves and C03-C04 control actuations. Updated position front electric device arrangement of EHC1 handle. Modified cable specifications	03
September, 2024	31-32-33-34-35-36	Spare parts list added	04

ABOUT THE MANUAL

This manual contains the technical instructions for the servocontrol ESJ02A.
All information given in this manual is current and valid according to the information available at the time of publication.
The data specified above only serve to describe the product. EBI Motion controls reserves to modify or revise the instructions without prior notice.

EBI Motion controls is not responsible for any damage caused by an incorrect use of the product.
Please visit www.ebimc.com for the most recent version of this manual.

CONTENTS

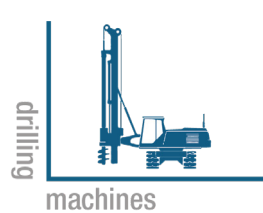
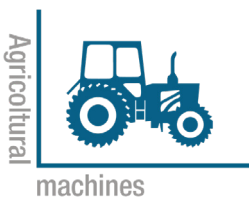
4	INTRODUCTION
5	GENERAL INFORMATION HYDRAULIC OPERATING PRINCIPLE
6	GENERAL INSTRUCTIONS INTENDE USE WARRANTY GENERAL SAFETY INSTRUCTIONS WARNING SYMBOL PRODUCT IDENTIFICATION UNITS OF MEASURE - CONVERSION FACTORS
8	DIMENSIONS - HYDRAULIC SYMBOL STANDARD CONNECTIONS
9	PORT DETAILS
10	TECHNICAL DATA HYDRAULIC STANDARD SPECIFICATIONS MATERIAL STANDARD SPECIFICATIONS GENERAL STANDARD SPECIFICATIONS SEALS
11	HYDRAULIC FLUID FLUID CLEANLINESS REQUIREMENTS
13	APPLICATION AND SAFETY GUIDELINES STORAGE OF NEW PRODUCT SAFETY GUIDELINES
14	ORDERING CODES BODY CLASSIFICATION FIXING PLATE RETURN SPRING METERING CURVE CONTROL ACTUATION ROD LEVER CONTROL LEVER
31	SPARE PARTS LIST



INTRODUCTION

SERVOCONTROLS

EBI motion controls servocontrols (joysticks and foot pedals) are used to control the work and drive hydraulics of modern mobile machines with high accuracy, safety and optimal performance. EBI motion controls servocontrols are maintenance free and have a long life cycle, are suited for specialized applications for a variety of mobile equipment such as:



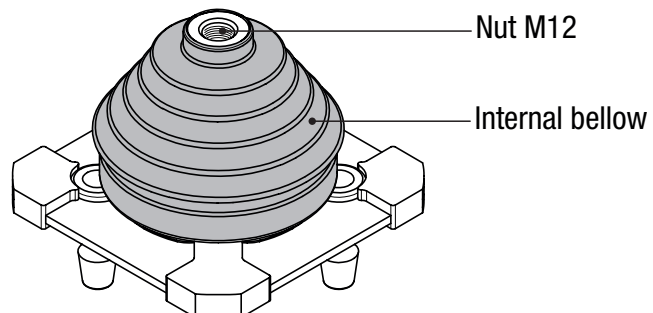
ESJ02A

PILOT CONTROL DEVICE IN JOYSTICK DESIGN 2 AXIS SINGLE LEVER

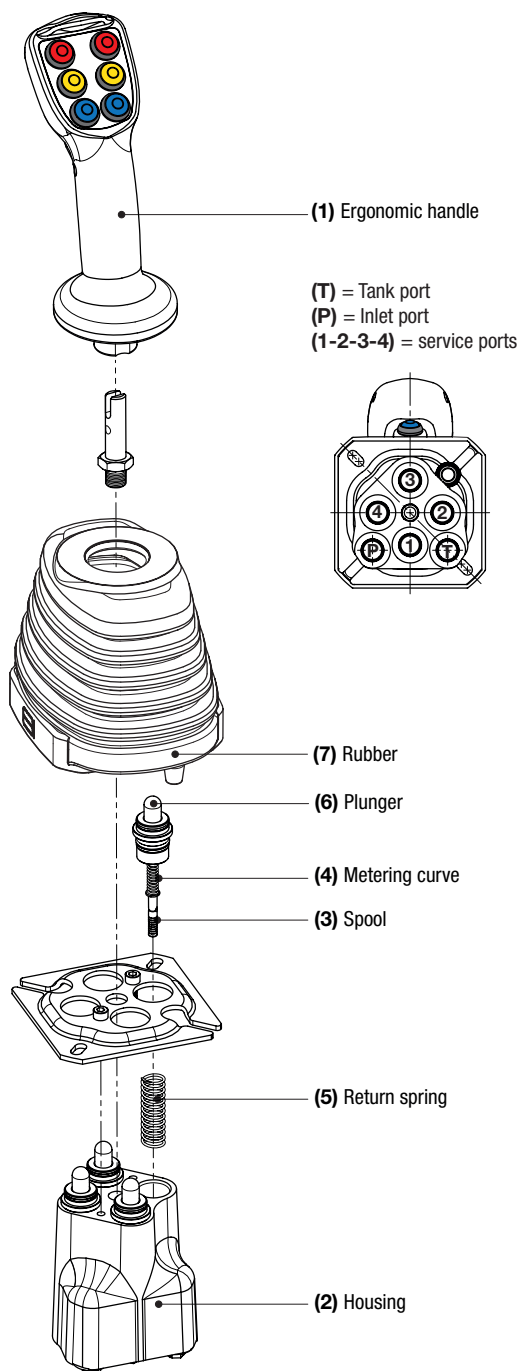
- Small dimensions enable simple, compact installation.
- Robust, simple design gives great reliability and easy servicing.
- Progressive and sensitive operation.
- Precise pressure control.
- Low operating effort.
- Control element protected with rubber bellow.
- High durability and Maintenance free.

BETTER PROTECTION

INTERNAL RUBBER BELLOW OPTION:
to better protect plungers from dirt and contamination.



GENERAL INFORMATION

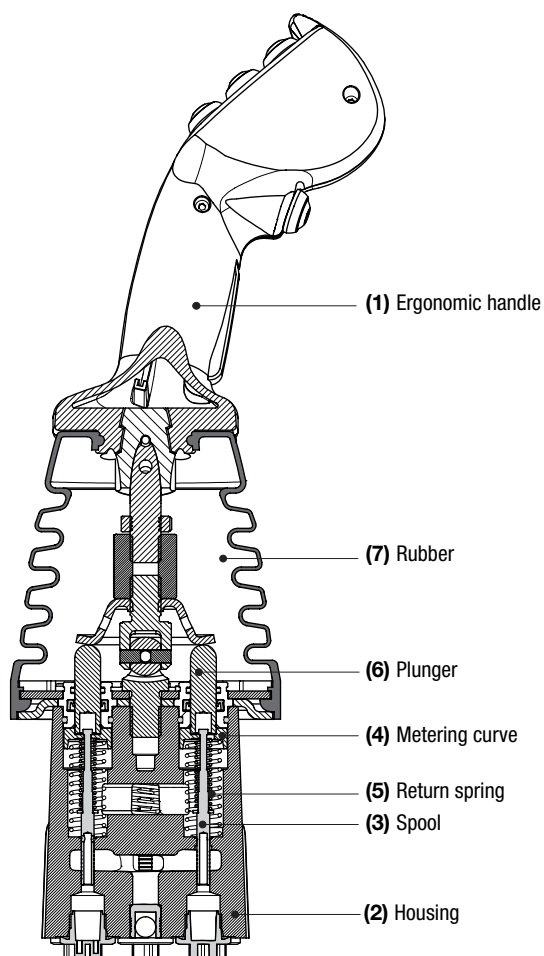


HYDRAULIC OPERATING PRINCIPLE

Pilot control device ESJ02A operates on the basis of direct operated pressure reducing valves.

ESJ02A basically comprises of an ergonomic handle (1), four pressure adjustment valves and a housing (2). Each pressure adjustment valve consists of a spool (3), a metering curve (4), a return spring (5) and a plunger (6).

When non actuated the ergonomic handle is held in the neutral position by the four return springs (5). Service ports (1, 2, 3, 4) are connected to tank port (T) via the drilling.



With deflection of the handle (1), the plunger (6) pushes against the return spring (5) and the metering curve (4). The metering curve firstly moves the spool (3) downwards and closes the connection between the appropriate port and tank port (T). At the same time the appropriate port is connected to the inlet port (P) via the drilling.

The control phase begins as soon as the spool (3) has found its balance between the force of the metering curve (4) and the force which results from the hydraulic pressure in the appropriate service port (1, 2, 3 or 4).

Through the interaction of spool (3) and metering curve (4) the pressure in the appropriate ports is proportional to the stroke on the plunger (6) and thus the position of the handle (1).

A rubber bellow (7) protects the mechanical components in the housing (2) against contamination and ensures that the ESJ02A can also be used for the arduous applications.



GENERAL INSTRUCTIONS

INTENDED USE

Servocontrol ESJ02A is designed for industrial use.

WARRANTY

Check the package and the product for transport damage when receiving goods. The package is not meant for long term storage; protect the product appropriately.

Do not dismantle the product. The warranty is void if the product has been disassembled.

The manufacturer is not responsible for damages resulting from misinterpreted, noncompliance, incorrect, or improper use of the product that goes against the instructions given in this document.

GENERAL SAFETY INSTRUCTIONS

The following instructions apply to all procedures associated with the product. Read these instructions carefully and follow them closely.

- Use necessary personal protective equipment when working with the product.
- Support the product properly; make sure the product cannot fall over or turn around by accident.
- Use only appropriate equipment and attachments for lifting and transferring the product.
- Always use the lifting equipment properly and check the load-bearing capacity.
- Prevent unintended use of the product during installation and maintenance procedures.

WARNING SYMBOL

The following symbols can be used in this manual:



Note:
Useful information



Danger:
Danger of death or injury



Attention:
May cause damage to the product

PRODUCT IDENTIFICATION

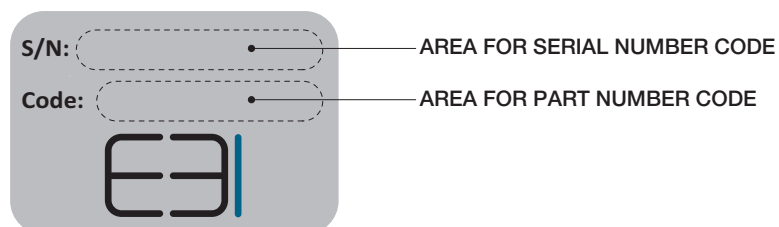
The product identification data can be found on the identification plate attached to the EBI product.

SERIAL NUMBER

all manufacturing data and all sales data can be found with the serial number

PART NUMBER CODE

It is a number univocally identifying the configuration and pressure setting of a valve



Note:

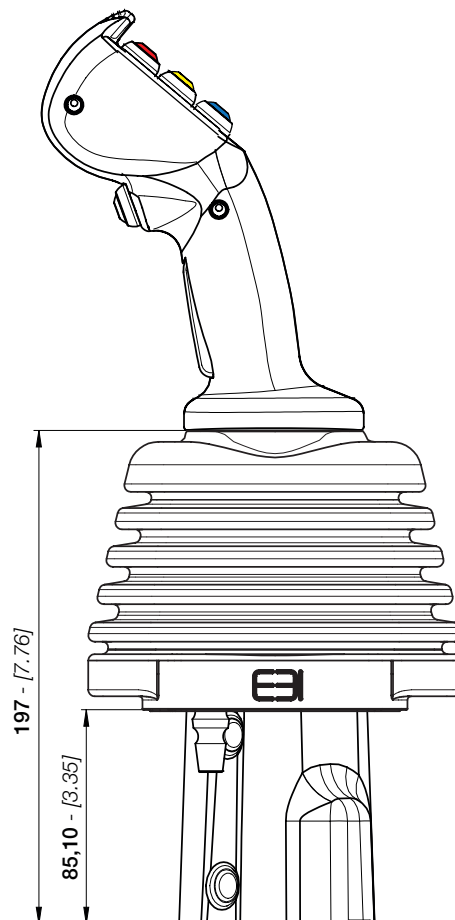
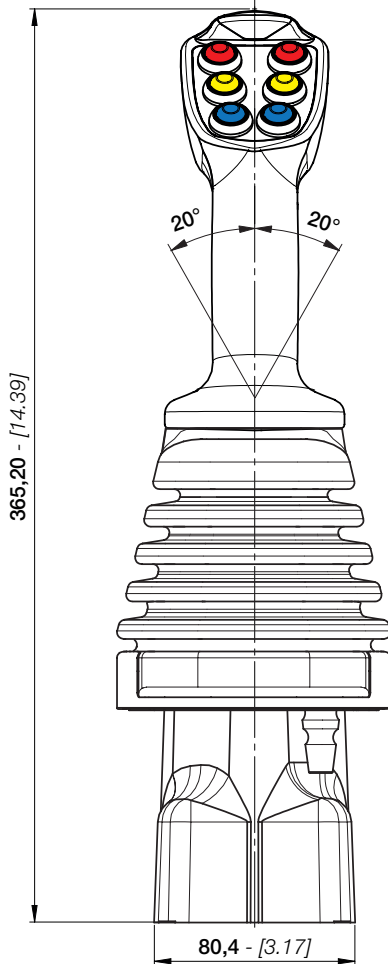
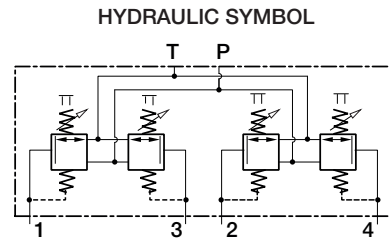
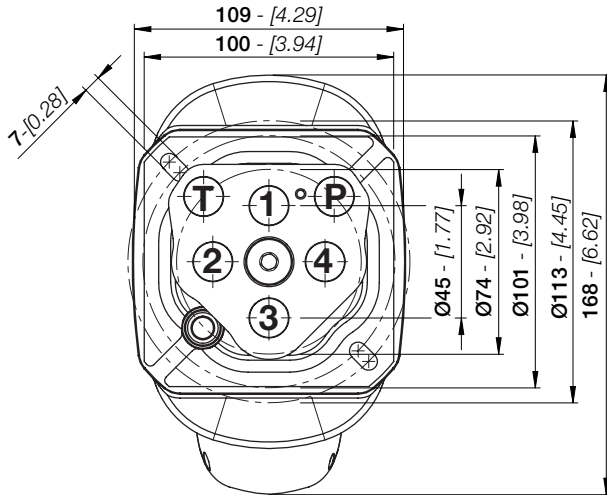
Serial number and part number code have 9 characters (letters and numbers).

UNITS OF MEASURE - CONVERSION FACTORS

LENGHT	FLOW RATE	MASS	FORCE WEIGHT	PRESSURE
1 mm = 0,0394 in	1 l = 0,2200 gal UK	1 kg = 2,205 lb	1 Nm = 0,1020 Kgf	1 bar = 100000 Pa
1 in = 25,4 mm	1 l = 0,2642 gal US	1 lb = 0,4536 kg	1 Kgf = 9,8067 Nm	1 bar = 14,5 psi
	1 gal UK = 4,546 l			1 Pa = 0,0001 bar
	1 gal UK = 1,2010 gal US			1 Pa = 0,00014 psi
	1 gal US = 3,785 l			1 psi = 0,0689 bar
	1 gal US = 0,8327 gal UK			1 psi = 6890 Pa

DIMENSIONS - HYDRAULIC SYMBOL

This drawing represents a ESJ02A, standard assembly and BSP configuration.



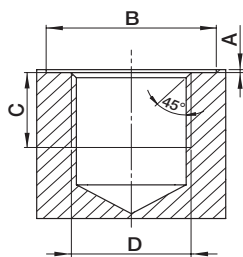
STANDARD CONNECTIONS

TYPE	BSP ISO 1179-1	UN-UNF ISO 11926-1
INLET - P	G 1/4	9/16-18 UNF
PORTS - A/B	G 1/4	9/16-18 UNF
OUTLET - T	G 1/4	9/16-18 UNF

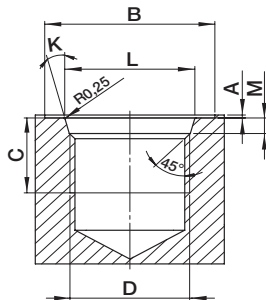
PORT DETAILS

The connection port size is indicated by an ordering code common for all EBI products. Following tables show all available connections.

BSP THREADS ISO 1179-1	D		C		B		A		CODE
	mm	inc	mm	inc	mm	inc	mm	inc	
UNI-ISO 228									
G 1/4	13	0.51	19	0.75	1	0.094			1B
G 3/8	13	0.51	25	0.98	1	0.04			2B
G 1/2	15	0.59	29	1.14	1.5	0.06			3B
G 3/4	17	0.67	36	1.42	1.5	0.06			4B
G 1	19	0.75	45	1.77	2	0.08			5B



UN/UNF THREADS ISO 11926-1	D		C		B		L		M		K	A		CODE
	mm	inc	mm	inc	mm	inc	mm	inc	mm	inc	mm	inc	mm	
ASA-B1-1														
9/16-18 UNF (SAE6)	13	0.51	26	1.02	15.6	0.61	2.5	0.098	12°	1	0.04			1S
3/4-16 UNF (SAE8)	15	0.59	30	1.18	20.6	0.81	2.6	0.102	15°	1.5	0.06			2S
7/8-14 UNF (SAE10)	17	0.67	34	1.34	23.9	0.94	2.6	0.102	15°	1.5	0.06			3S
1"1/16-12 UNF (SAE12)	20	0.79	41	1.61	29.2	1.15	3.3	0.13	15°	1.5	0.06			4S
1"5/16-12 UNF (SAE16)	20	0.79	50	1.97	35.5	1.40	3.3	0.13	15°	2	0.08			5S





TECHNICAL DATA

All performances in this catalogue are obtained using mineral based hydraulic oil 46 cSt viscosity at 40°C (ISO VG 46 viscosity class). All ESJ02A go through functional testing at these conditions before shipment.

HYDRAULIC STANDARD SPECIFICATIONS

Maximum input pressure	100 bar - [1450 psi]
Maximum back pressure on tank line	3 bar - [43,5 psi]
Control max flow on ports.....	15 l/min - [4 GPM]
Hysteresis	< 1 bar - [< 14,5 psi]
Hydraulic fluid	Mineral Oil HL, HLP (DIN 51524) phosphate ester (HFD-R)
Fluid temperature range	-20°C +80°C [-4°F +176°F]
Fluid viscosity range	10 ÷ 380 cSt
Max contamination level	9 (NAS 1638) - 20/18/15 (ISO 4406:1999)
Recommended filtration	B10 > 75 - (ISO 16889:20008)
Leakage (single port)	3 cm³/min - (with 100 bar of pressure)

MATERIAL STANDARD SPECIFICATIONS

Body material	Cast iron
Plunger material	Stainless steel
Plunger guide material	Brass

GENERAL STANDARD SPECIFICATIONS

Type of connection	BSP thead (ISO 1179-1) - SAE thead (ISO 11926-1)
--------------------------	---

SEALS

O-Rings: **Buna N** (acrylonitrile butadiene), also named **NBR** (according to ASTM), compatible with fluids having mineral oil base, water in oil emulsions, and water glycol fluids.

These seals are standard for temperatures within the range -20°C and +80°C

Back-up rings and Slide rings: **strengthened PTFE** (Politetrafluoroetilene like Teflon®, Lubriflon®, Ecoflon®, or similar).

Special FPM (Viton®) seals are available on request.

Note: the seal materials are compatible with the fluids normally used in hydraulic systems; in case of special fluids, if you suspect incompatibility between the fluid used and the standard seals, contact the EBI motion controls service network.

HYDRAULIC FLUID

Mineral oil based hydraulic fluids suitable for hydraulic systems can be used; they should have physical lubricating and chemical properties as specified by:

MINERAL OIL BASED HYDRAULIC FLUIDS HL (DIN 51524 part 1)

MINERAL OIL BASED HYDRAULIC FLUIDS HLP (DIN 51524 part 2)

For use of environmentally friendly fluids (vegetable or polyglycol base), or other fluids, please contact EBI.

OIL AND SOLUTIONS - ISO 6743/4	(°C) MIN	(°C) MAX	COMPATIBLE SEAL
Mineral Oil HL, HM or HLP	-25	+80	NBR
Oil in water emulsion HFA	+5	+55	NBR
Oil in water emulsion HFB	+5	+55	NBR
Polyglycol-based aqueous solution HFC	-10	+60	NBR

Hydraulic fluids are available in different viscosity classes identified by the ISO VG number, which corresponds to the kinematic viscosity at 40°C. Here is a table showing typical viscosity changes between 0°C and 100°C for mineral oil based fluids having various viscosity classes. The fluid should be selected with the aim to achieve an appropriate operating viscosity at the expected working temperature.

VISCOSITY CLASS AND FILTRATION DATA			
Viscosity class	kinematic viscosity (cSt)		
	maximum (0° C)	medium (40° C)	minimum (100° C)
ISO VG 10	90	10	2.4
ISO VG 22	300	22	4.1
ISO VG 32	420	32	5.0
ISO VG 46	780	46	6.1
ISO VG 68	1400	68	7.8
ISO VG 100	2560	100	9.9

FLUID CLEANLINESS REQUIREMENTS

The cause of malfunctions in hydraulics is often found to be excessive fluid contamination. The hard contaminant particles in the fluid wear the hydraulic components and prevent the poppets from re-seating, with consequent internal leakage and system inefficiency. For the correct operation it is necessary to adopt filtration methods which guarantee for life the specified fluid cleanliness level. It is important to ensure that hydraulic fluids are brought to the appropriate cleanliness level prior filling up the systems, and, when in doubt, also to flush the hydraulic components prior to installation.

FILTRATION RATIO $BETA_x$:

It is the ratio between the number of particles before and after the filter with diameter larger than X micron.

ABSOLUTE FILTRATION RATIO ISO 4572:

It is the diameter X of the largest particle with $BETA_x \geq 75$.

**CONTAMINATION CLASS ISO 4406:**

It is expressed by 3 scale numbers representing respectively: the number of particles equal to or larger than 4µm, the number of particles equal to or larger than 6µm, the number of particles equal to or larger than 14µm contained in 1 ml of fluid.

CONTAMINATION CLASS NAS 1638:

It is expressed by one scale numbers representing the number of particles of different size ranges contained in 1 ml of fluid.

FILTRATION RECOMMENDATION				
Type	Nominal filtration (micron)	Absolute filtration rating ISO 4572 (BETA _x ≥75)	Contamination class	
			ISO 4406	NAS 1638
System/components operating at <i>HIGH PRESSURE > 250 bar</i> <i>HIGH DUTY CYCLE APPLICATIONS</i> Systems/components with <i>LOW dirt tolerance</i>	10	X = 10... 12	19/17/14	8
System/components operating at <i>MEDIUM HIGH PRESSURE</i> <i>HIGH DUTY CYCLE APPLICATIONS</i> Systems/components with <i>MODERATELY dirt tolerance</i>	15	X = 12... 15	20/18/15	9
System/components operating at <i>LOW PRESSURE < 100 bar</i> <i>LOW DUTY CYCLE APPLICATIONS</i> Systems/components with <i>GOOD dirt tolerance</i>	25	X = 15... 25	21/19/16	10

**Attention:**

If the filtration demands are not met, the valve poppets can jam in the open position, with the result that the valve remains actuated. It is not possible to force back jammed poppets mechanically.

APPLICATION AND SAFETY GUIDELINES

STORAGE OF NEW PRODUCTS

Encapsulated by a protective wrapping, the products shall not be exposed to direct sunlight nor to source of heat or ozone and kept in a dry place at a temperature between -20°C $+50^{\circ}\text{C}$.

SAFETY GUIDELINES

During any operation on servocontrols, it is recommended to pay attention to components surfaces temperature.

The circuit functions are to be so designed that uncontrolled machine movements, caused by the application, are prevented and that it is possible to switch from one function to another.

Take into account all of the application limits, particularly those application limits stated within this technical catalogue.

It is recommended to follow these steps and only trained and competent personnel may carry out any work on EBI motion controls servocontrols:

- Do not direct the jet of a pressure washing unit directly to the unit.
- During operation protection via the rubber boot must be ensured.
- Ensure that all matching surfaces are clean, without contamination.
- Ensure that all seals and back-up rings for the matching surfaces are flawless and correctly placed.
- Do not put any sealing material other than the standard seals.
- During the assembly of the complete servocontrol and/or the group of servocontrol, refer to the hydraulic scheme and to the name assigned to each port.
- Do not hang the servocontrol and/or the group of servocontrol to the hydraulics pipes, but always use the specific fixing holes.
- Place in position the servocontrol, then, by hand, insert the fittings and the locating screws.
- Finally tighten with a calibrated torque wrench and torque up to the specifications shown in the catalogue.
- Use gloves in order to avoid accidental injuries during installation or maintenance.
- Do not grab / handle product from moving parts (i.e. cables, levers,...etc.)
- All servocontrols or groups of servocontrols are attributable to pressure vessels. It's always recommended to place the components in a closed but ventilated compartment, able to protect the environment and users in case of accidental ejection of material under pressure (fittings, pipes, plugs expander... etc.)
- Do not tamper with the servocontrol.
- Before removing or disassembling the complete servocontrol or allowed parts (as pressure gauge ports, purge plugs, ...etc) it is strongly recommended to vent all hydraulic pressure from the system.
- During the first start of the machine, please ensure that the grounding system is connected and stay away from moving parts.
- In case of allowed adjustments on the valve, any maximum value indicated in catalogue must not be exceeded.



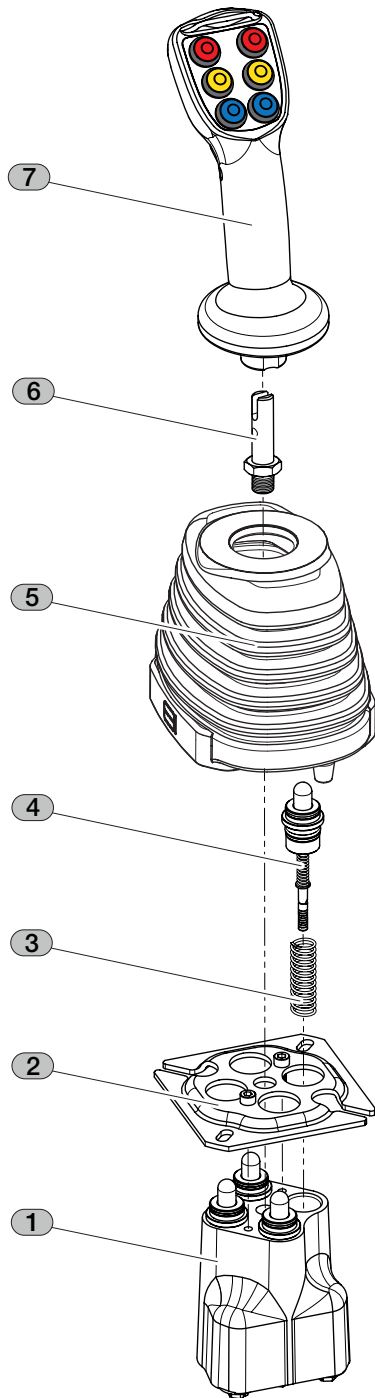
Attention:

These guidelines are not intended to be considered as complete

ORDERING CODES

The order code below provides an example of servocontrol ESJ02A with standard configuration. This example represents a ESJ02A with ergonomic handle EHC1 and SAE configuration. See pages 15 - 28 for more information about the different options available.

product	1	2	3	4	3	4	3	4	3	4	5	6	7
ESJ02A	BJA11S	FP1	S1	MV01	S1	MV01	S1	MV01	S1	MV01	C03	L1	EHC1 F06 R03 A



POSITION	CODE	DESCRIPTION	PAGE
1	BJA11S	Body classification	15
2	FP1	Fixing plate	16
3	S1	Return spring (port 1)	17
4	MV01	Metering curve (port 1)	18
3	S1	Return spring (port 2)	17
4	MV01	Metering curve (port 2)	18
3	S1	Return spring (port 3)	17
4	MV01	Metering curve (port 3)	18
3	S1	Return spring (port 4)	17
4	MV01	Metering curve (port 4)	18
5	C03	Control actuation	20
6	L1	Rod lever	23
7	EHC1	Control lever	24
	F06	Front buttons arrangement	
	R03	Rear buttons arrangement	
	A	Handle positions	

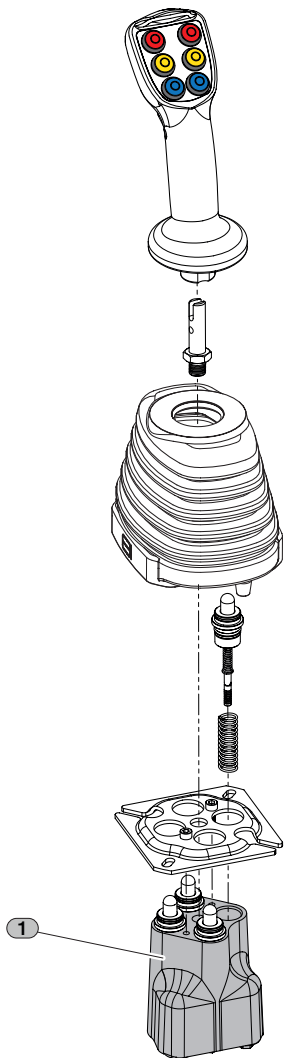


Note:

Ordering code for position 3 and 4 must be repeated for each port.

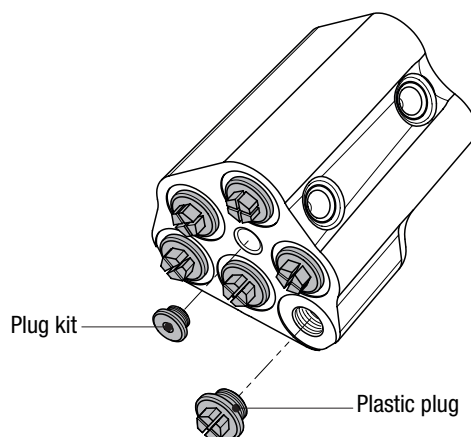
BODY CLASSIFICATION

product	1	2	3	4	3	4	3	4	3	4	5	6	7
ESJ02A	BJA11S	FP1	S1	MV01	S1	MV01	S1	MV01	S1	MV01	C03	L1	EHC1 F06 R03 A



ESJ02A body arrangement is available in two configurations: SAE thread or BSP thread. For different applications, contact our Sales Office.

Example of body arrangement with BSP ports:



Note:

All arrangement bodies are equipped with 1 plug kit and 6 plastic plugs.

CODE	DESCRIPTION	DRAWING
BJA11S	Standard body with ports 9/16"-18 UNF (SAE6)	<p>(T) = Tank port (P) = Inlet port (1-2-3-4) = service ports</p>
BJA11B	Standard body with ports G 1/4	

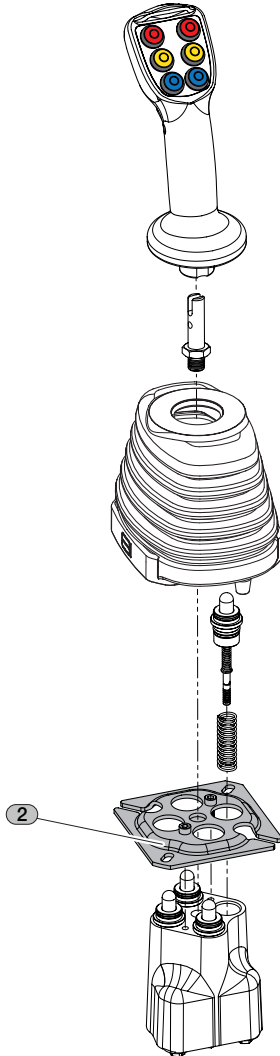


Note:

On request it is available body arrangement with shuttle valves. This application requires a special casting and special configuration.

FIXING PLATE

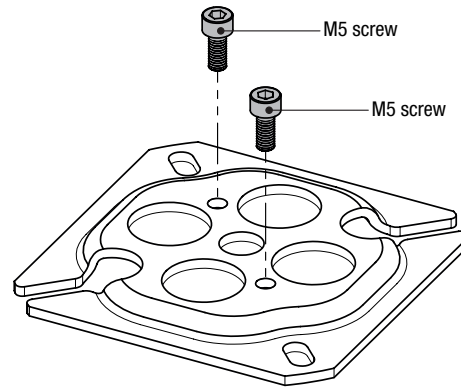
product	1	2	3	4	3	4	3	4	3	4	5	6	7
ESJ02A	BJA11S	FP1	S1	MV01	S1	MV01	S1	MV01	S1	MV01	C03	L1	EHC1 F06 R03 A



The fixing plate allows the correct installation of the ESJ02A servocontrol on the customer machine system.

The following is the standard fixing plate (FP1).

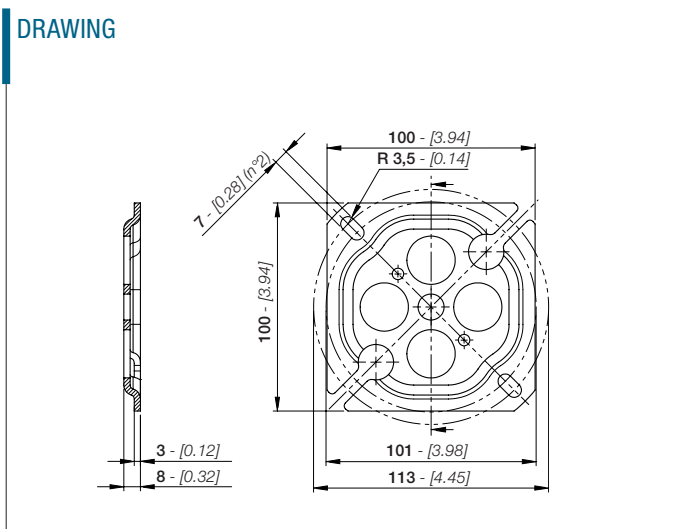
For different dimensions or different applications, contact our Sales Office.



Note:

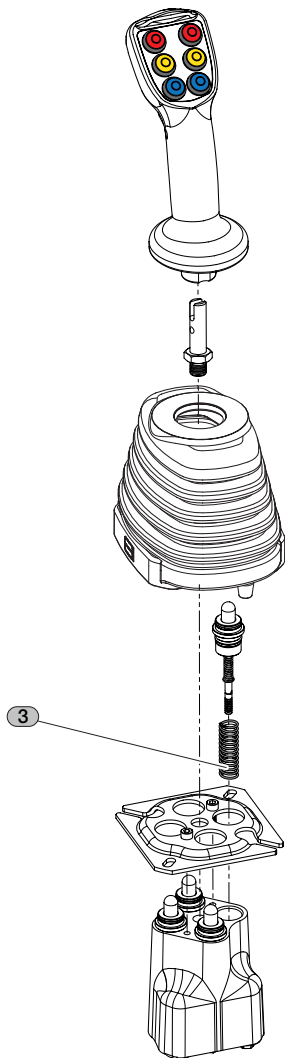
The fixing plate contains 2 screws which allow correct assembly with the body.

CODE	DESCRIPTION
FP1	Standard fixing plate



RETURN SPRING

product	1	2	3	4	3	4	3	4	3	4	5	6	7
ESJ02A	BJA11S	FP1	S1	MV01	S1	MV01	S1	MV01	S1	MV01	C03	L1	EHC1 F06 R03 A



All ESJ02A servocontrols are equipped with 4 return springs (one spring each service port).

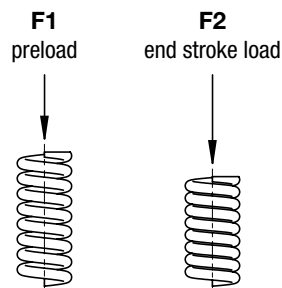
Two types of springs are available; the relative values are shown here below.

For different values or different applications please contact our Sales Office.



Note:

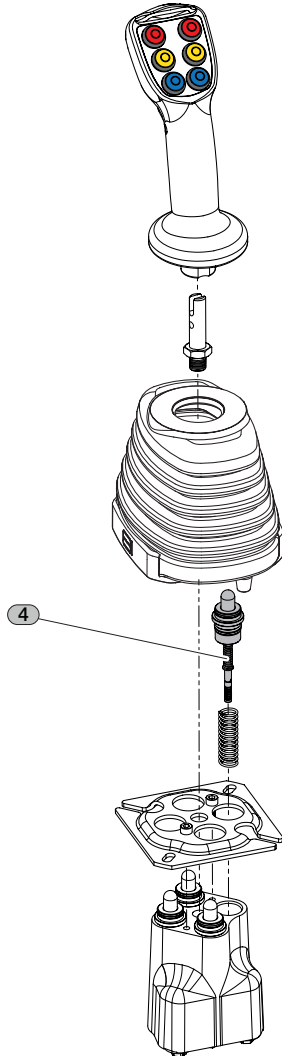
Ordering row 3, must be repeated for each port.



CODE	PRELOAD		END STROKE LOAD	
	Nm	Kgf	Nm	Kgf
S1	15	1,53	28	2,86
S2	24	2,45	40	4,08

METERING CURVE

product	1	2	3	4	3	4	3	4	3	4	5	6	7
ESJ02A	BJA11S	FP1	S1	MV01	S1	MV01	S1	MV01	S1	MV01	C03	L1	EHC1 F06 R03 A



All ESJ02A servocontrols are equipped with 4 metering curves (one metering curve each service port).

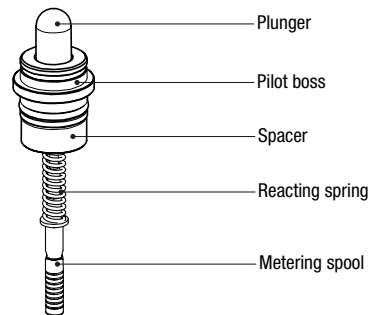
The metering curve classification depends on the control pressure (bar - *psi*) and stroke length (mm - *in*).

Currently two types of metering curves are available:

- Linear curve with step (MV type)
- Linear curve without step (MZ type)

All metering curves are interchangeable.

For different values or different applications please contact our Sales Office.

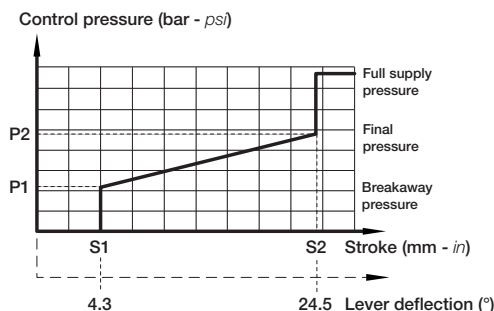


Note:

Ordering row 4 must be repeated for each port.

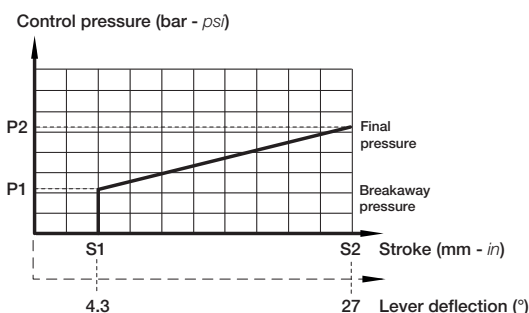
CODE	PRESSURE				STROKE			
	P1		P2		S1		S2	
	bar	psi	bar	psi	mm	in	mm	in
MV01	5	72.5	25	362,5	1.2	0,05	7.2	0,28
MV02	5.8	84,1	19.5	282,7	1.2	0,05	7.2	0,28
MV03	5	72,5	22	319	1.2	0,05	7.2	0,28
MV04	5	72,5	15	217.5	1.2	0,05	7.2	0,28
MV05	5	72,5	20	290	1.2	0,05	7.2	0,28
MV06	7.5	108,8	29	420,5	1.2	0,05	7.2	0,28
MV07	8	116	28	406	1.2	0,05	7.2	0,28
MV08	2	29	18	261	1.2	0,05	7.2	0,28
MV10	7	101.5	17	246.5	1.2	0,05	7.2	0,28
MV11	3	43.5	22.2	321.9	1.2	0,05	7.2	0,28
MV12	6.8	98.6	23.5	340.8	1.2	0,05	7.2	0,28
MV13	3	43.5	28	406	1.2	0,05	7.2	0,28
MV14	14.7	213.2	28.4	411.8	1.2	0,05	7.2	0,28
MV16	2	29	11.5	166.8	1.2	0,05	7.2	0,28
MV21	5.8	84.1	18.3	265.4	1.2	0,05	7.2	0,28
MV22	3.5	50.8	13.5	195.8	1.2	0,05	7.2	0,28
MV26	2	29	26	377	1.2	0,05	7.2	0,28
MV35	5	72.5	13.8	200.1	1.2	0,05	7.2	0,28
MV36	5	72.5	18.2	263.9	1.2	0,05	7.2	0,28
MV37	10	145	20	290	1.2	0,05	7.2	0,28
MV40	6	87	40	580	1.2	0,05	7.2	0,28

MV
linear curve with step



CODE	PRESSURE				STROKE			
	P1		P2		S1		S2	
	bar	psi	bar	psi	mm	in	mm	in
MZ01	5	72.5	25	362,5	1.2	0,05	8	0,32
MZ02	5.8	84,1	19.5	282,7	1.2	0,05	8	0,32
MZ03	5	72,5	22	319	1.2	0,05	8	0,32
MZ04	5	72,5	15	217.5	1.2	0,05	8	0,32
MZ05	5	72,5	20	290	1.2	0,05	8	0,32
MZ06	7.5	108,8	29	420,5	1.2	0,05	8	0,32
MZ07	8	116	28	406	1.2	0,05	8	0,32
MZ08	2	29	18	261	1.2	0,05	8	0,32
MZ15	5	72.5	16.3	236.4	1.2	0,05	8	0,32
MZ23	1.2	17.4	18.9	274.1	1.2	0,05	8	0,32
MZ25	4	58	18	261	1.2	0,05	8	0,32
MZ27	5.5	79.8	29	420.5	1.2	0,05	8	0,32
MZ28	3	43.5	24.8	359.6	1.2	0,05	8	0,32
MZ33	2	29	19.3	279.9	1.2	0,05	8	0,32

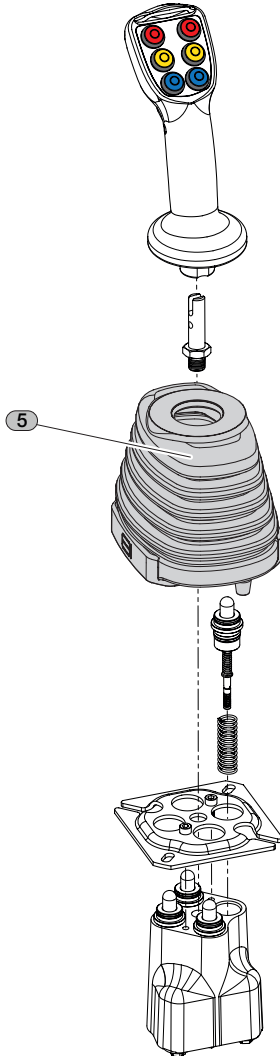
MZ
linear curve without step



On request are available broken line metering curves with step and broken line metering curves without step. For different values or different applications please contact our Sales Office.

CONTROL ACTUATION

product	1	2	3	4	3	4	3	4	3	4	5	6	7
ESJ02A	BJA11S	FP1	S1	MV01	S1	MV01	S1	MV01	S1	MV01	C03	L1	EHC1 F06 R03 A



Several different types of controls actuation are available; the controls shown correspond to standard arrangement with bellows for bent lever rod.

All controls actuation type are interchangeable.

The choice of control actuation is directly linked to the choice of the rod levers and the relative handles.

In the tables on the next page all the available control actuation choices are shown.

ESJ02A joystick is available in 3 configuration:

- STANDARD CONFIGURATION WITH STRAIGHT LEVER
- CONFIGURATION FOR LEFT HAND WITH BENT LEVER
- CONFIGURATION FOR RIGHT HAND WITH BENT LEVER

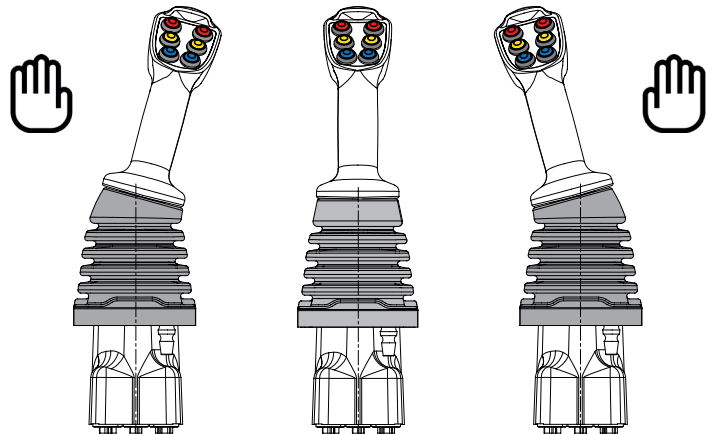
Each configuration uses the corresponding control actuation:

C01L = actuation for LEFT hand

C03 = actuation standard

C01R = actuation for RIGHT hand

The position of the handle, respect to the body, changes according to the type of actuation (see page 25).



Example with actuation **C01L**

Example with actuation **C03**

Example with actuation **C01R**



Note:

On request it is available control actuation with mechanical detent in one service port; user port where to apply mechanical detent must be specified.

ORDER EXAMPLE:

ESJ01A BJA11S FP1 S1 MV01 S1 MV01 S1 MV01 S1 MV01 **C05 1** L1 EHC1 F06 R03 A

1 = indicates the number of the service port

CONTROL ACTUATION FOR JOYSTICK ESJ02A

In this table are shown the control actuations available with straight and bent lever rod. Each control actuation contains an M12 fastening nut.



Note:

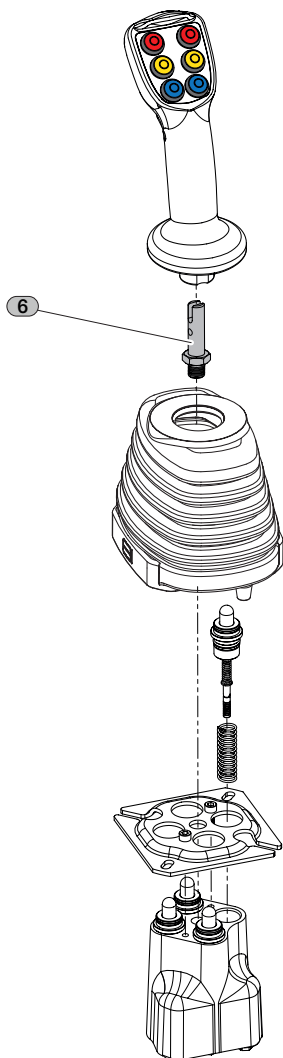
If your application requires a joystick without handle, you must choose one of the following controls actuation; In these case do not provide the assembly of the lever rod.

CODE	DESCRIPTION	DRAWING	CONFIGURATION
C01L	Control actuation with standard bellow for BENT lever rod ONLY WITH ACTUATION FOR LEFT HAND		
C01R	Control actuation with standard bellow for BENT lever rod ONLY WITH ACTUATION FOR RIGHT HAND		
C02L	Control actuation with double bellow for BENT lever rod ONLY WITH ACTUATION FOR LEFT HAND		
C02R	Control actuation with double bellow for BENT lever rod ONLY WITH ACTUATION FOR RIGHT HAND		

CODE	DESCRIPTION	DRAWING	CONFIGURATION
C03	Control actuation with standard bellow for STRAIGHT lever rod		
C04	Control actuation with double bellow for STRAIGHT lever rod		
C00	Control actuation without bellow		
C10	Control actuation with internal protection bellow		

ROD LEVER

product	1	2	3	4	3	4	3	4	3	4	5	6	7
ESJ02A	BJA11S	FP1	S1	MV01	S1	MV01	S1	MV01	S1	MV01	C03	L1	EHC1 F06 R03 A



All ESJ02A servocontrols are equipped with a rod lever. The rod lever kit changes according to the type of control actuation lever and the type of handle. Straight and bent lever are available. For different applications please contact our Sales Office.



Note:

The choice of the rod lever kit is not provided in the joysticks configured without handle.

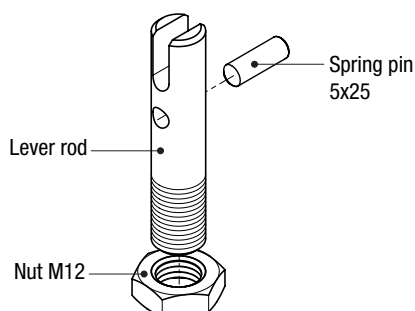
ROD LEVER FOR HANDLE - EHC1

CODE	DESCRIPTION	DRAWING
L1	Straight lever kit <i>available with control: C03-C04</i>	
L2	Bent lever kit <i>(available with control: C01L-C01R-C02L-C02R)</i>	



Note:

Each rod lever kit for EHC1, includes a rod lever, a M12 nut and a spring pin 5x25. This example shows a rod lever kit for a joystick with straight lever (code L1)

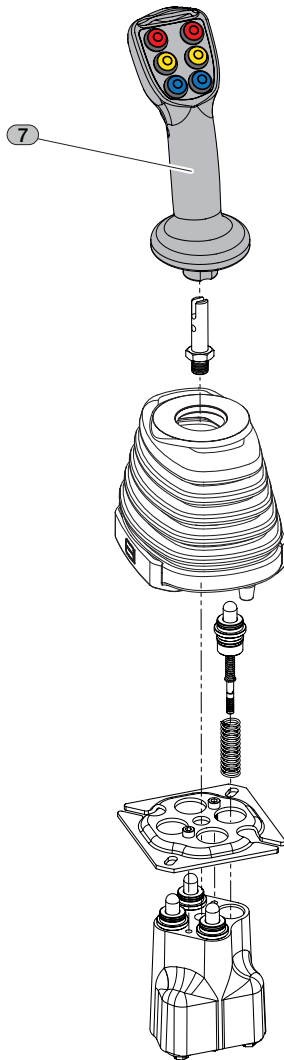


ROD LEVER FOR HANDLE - EHM1 / EHM2 / EHM3

CODE	DESCRIPTION	DRAWING
L3	Straight lever kit <i>available with control: C03-C04</i>	
L4	Bent lever kit <i>(available with control: C01L-C01R-C02L-C02R)</i>	

CONTROL LEVER

product	1	2	3	4	3	4	3	4	3	4	5	6	7
ESJ02A	BJA11S	FP1	S1	MV01	S1	MV01	S1	MV01	S1	MV01	C03	L1	EHC1 F06 R03 A



EBI handles are designed to guarantee flexibility and high level of customization. Each control levers are interchangeable. The handle identified with EHM1, EHM2 and EHM3 have been designed to equip the vast range of earth-moving machines; these handles can be set up to have, or not, a micro-switch. EHC1 is a multifunctional configurable handle. For different applications please contact our Sales Office.

CODE	DESCRIPTION	DRAWING
EHC1	Multifunctional configurable handle	
EHM1	Handle without micro-switch	
EHM2	Handle with one micro-switch	
EHM3	Handle with dual micro-switch	
EHS2	Handle with lens	
EHS4	Handle with knob	



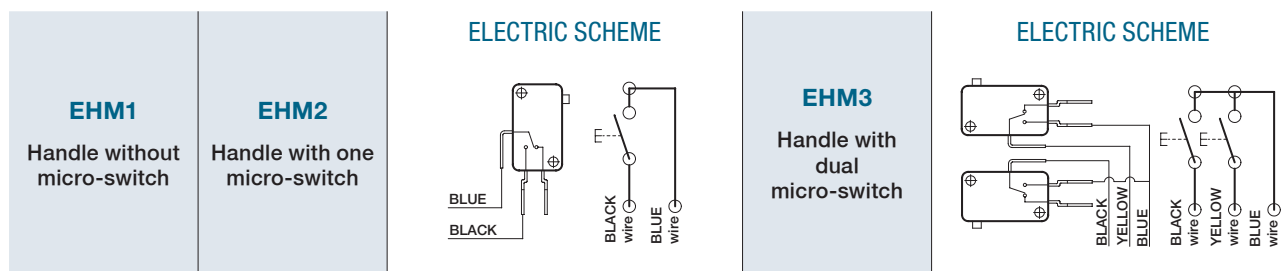
Note:

The handles can be set up with lever rod; this choice depends on the choice of the control actuation type (see page 20).

EHS2 and EHS4 handles do not require the choice of the lever rod kit. The lever rod is already included in the handle kit.

EHM HANDLES

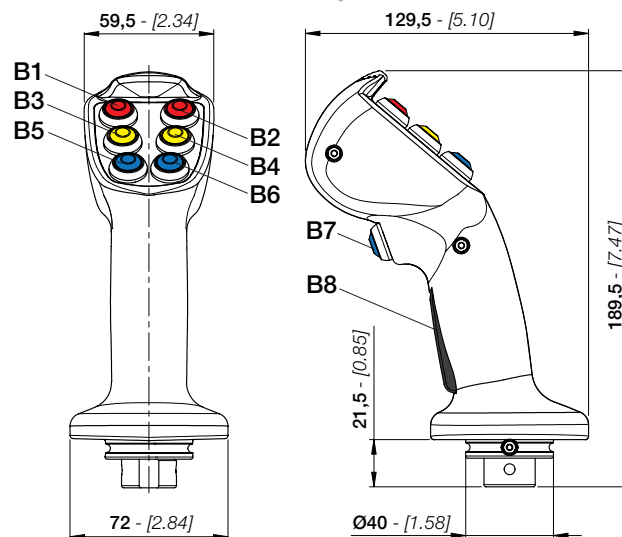
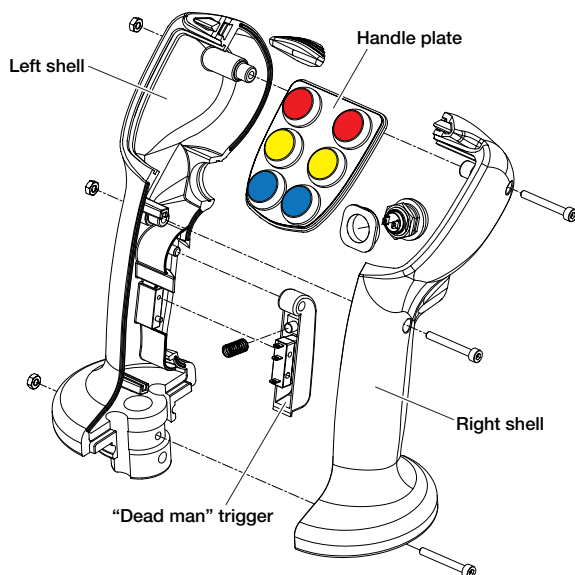
The handle families identified with EHM have been designed to equip the vast range of earth-moving machines including mini-excavators, mini-loaders, tractors, ets. These handles can be set up to have or not a microswitch.



EHC1 HANDLE

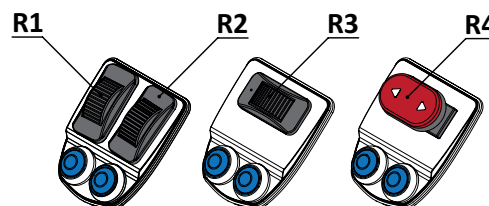
EHC1 is a multifunctional configurable handle designed for EBI servocontrols. It is designed to guarantee flexibility and high level of customization. The ergonomic shape allows long duty cycles and excellent comfort for the operator. A wide range of configurable options (buttons, rollers, switches, rockers) allow to fit various machines design in terms of shape, layout and color.

- Ergonomic handle
- ON/OFF and proportional functions
- Multiple Roller options
- Rocker switch
- Enable trigger control
- IP configuration driven
- Configurable options combination
- Color and logo personalization on request



BUTTONS COLOURS SPECIFICATIONS

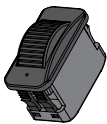
- Button B1 - B2 **red**
- Button B3 - B4 **yellow**
- Button B5 - B6 - B7 **blue**
- B8 (button for safety, "dead man") **black**
- Roller R1 (vertical left) **black**
- Roller R2 (vertical right) **black**
- Roller R3 (horizontal) **black**
- Rocker R4 (ON/OFF/ON) **red**



ELECTRIC DEVICE SPECIFICATIONS

SEALED PUSH BUTTON SWITCHES


Front panel sealing according to IEC 60529	IP67
Shock resistance	100 g according to IEC 512-4, test 6c
Vibration resistance	10-500 Hz - 10 g according to IEC 512-4, test 6d
Salt spray	IEC 512-4, test 11f
Operating temperature	-40°C to +85°C [-40°F +185°F]
Max. current/voltage rating with resistive load	5 A / 12 VDC - 5 A / 24 VDC
Initial contact resistance	50 mΩ max.
Insulation resistance	1 GΩ min. at 500 VDC
Dielectric strength	1.000 Vrms
Electrical life at full load	500.000 cycles
Typical operating force	4 N ± 3 N
Low level or mechanical life	1.000.000 cycles

ROLLER SWITCH


Sealing according to IEC 60529	IP67
Power supply	9 - 32 VDC
Power current consumption	24 mA
Power output current	1 mA
Operating temperature	-40°C to +85°C [-40°F +185°F]
Output signal range	0,5 - 4,5 V
Center output signal	2,5 V ± 0,1 V
Signal tolerance (center position / stroke end)	± 100 mV
Minimum load	10 Ω
Travel angle	± 30°
Typical operating force	2,4 N
Low level or mechanical life	5.000.000 cycles

ROCKER SWITCH


Sealing according to IEC 60529	IP67
Actuation type	direct
Switching function	SPDT - center OFF
Rating IEC	16 (4) A 250 V AC 1E4
Rating North America	16 A 125 V AC 1/3 HP - 16 A 250 V AC 1/2 HP
Operating temperature	-40°C to +85°C [-40°F +185°F]
Inrush peak current (capacitive)	120 A
Contact resistance	< 100 Ω (12 V, 1 A DC)
Insulation resistance	> 100 Ω (500 V DC between open contacts)
Insulation distance	≥ 8 mm
Plug force of the terminals	≤ 80 N
Mechanical life endurance	1.000.000 cycles
















“DEAD MAN” PUSH BUTTON

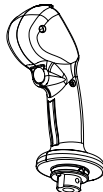
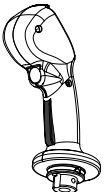
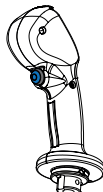
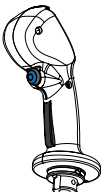
Rated amperage	up to 3 A inductive
Inlet protection rating (microswitch)	IP67
Version	Spring return
Contact type	NA
Mechanical life endurance	1.000.000 cycles
Electric life endurance	200x10³ cycles

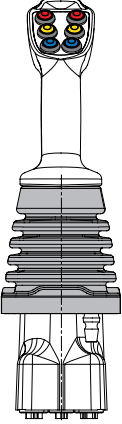
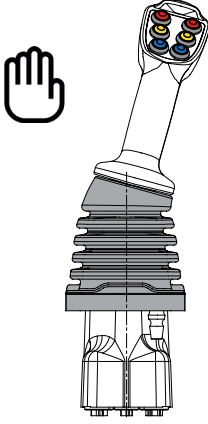
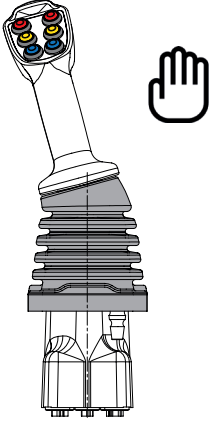
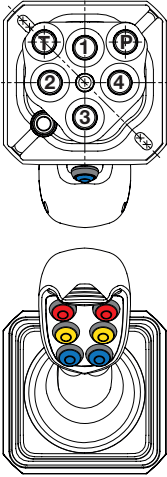
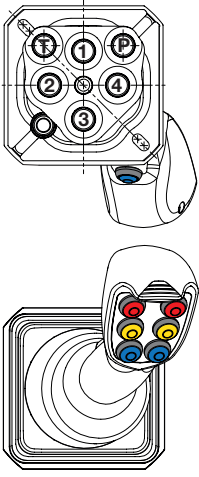
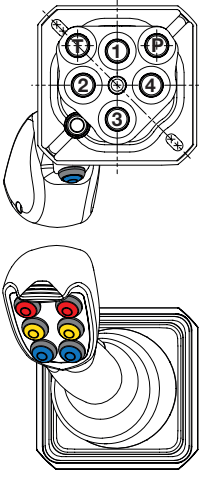
EHC1 ORDERING CODE

handle				1			2			3
E	H	C	1	F	0	6	R	0	3	A

POSITION	CODE	DESCRIPTION	PAGE
1	F06	Front electric device arrangement	27
2	R03	Rear electric device arrangement	27
3	A	Handle position (respect to the body)	28

FRONT ELECTRIC DEVICE ARRANGEMENT					
F00		F05		F22	
F01		F06		F31	
F02		F11		F32	
F03		F12		F51	
F04		F21		F52	

REAR ELECTRIC DEVICE ARRANGEMENT					
R00		handle WITHOUT button and "dead man"	R02		handle WITH "dead man"
R01		handle WITH button	R03		handle WITH button and "dead man"

HANDLE POSITION (RESPECT TO THE BODY)		
STRAIGHT LEVER	BENT LEVER (LEFT HAND)	BENT LEVER (RIGHT HAND)
		
A	B	C
		
<p>Code A is available only with joystick assembled with STRAIGHT lever kit (L1 or L3) and control actuation (C03 - C04).</p>	<p>Code B is available only with joystick assembled with BENT lever kit (L2 or L4) and control actuation (C01L - C02L).</p>	<p>Code C is available only with joystick assembled with BENT lever kit (L2 or L4) and control actuation (C01R - C02R).</p>

CABLE SPECIFICATIONS

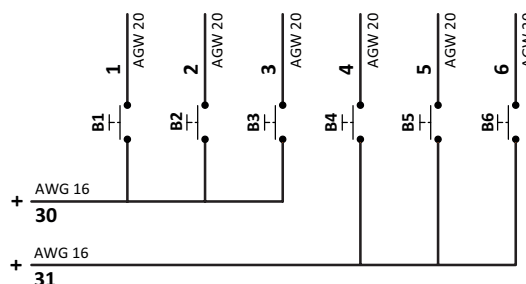
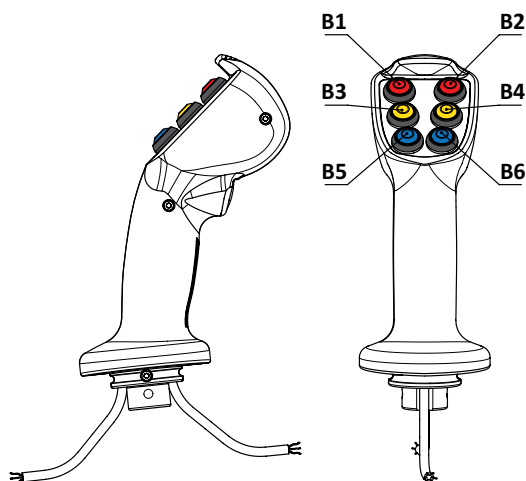
- Number of conductors **16 max**
- Conductor material **copper with tinned ends**
- Conductor section **AWG16 - AWG20**
- Insulating material **PVC**
- Protective covering material **fireproof polyurethane**
- Useful cable length **700 mm**

All EBI handles are wired with numbered cables.
 Each position indicated on the handle (B1, B2, B3, B4, B5, B6, B7, B8, R1, R2, R3, R4) is characterized by a dedicated and unique cable number.

CONFIGURATIONS OF COMPLETE HANDLES

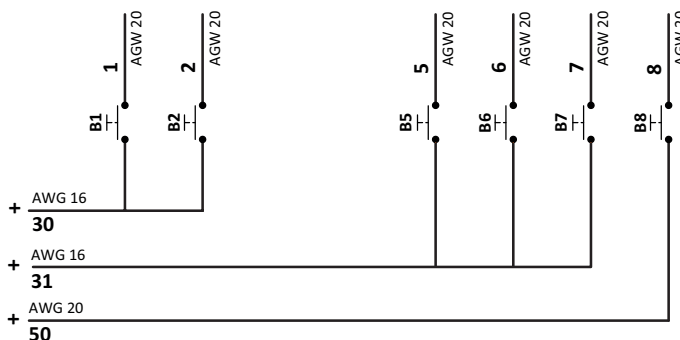
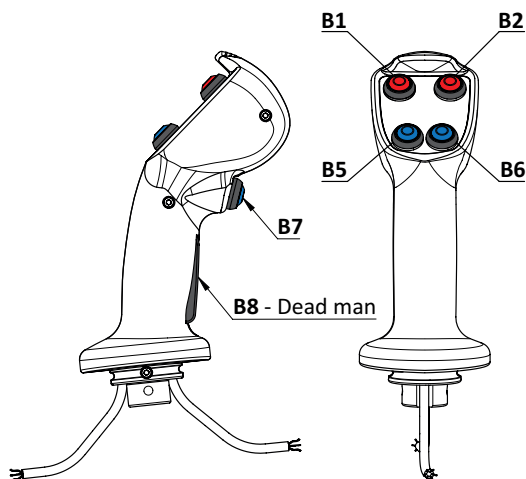
handle	front arrangement	rear arrangement
EHC1	F06	R00

Handle with 6 push-buttons in the front arrangement (B1, B2, B3, B4, B5 and B6) and NO push-button in rear arrangement.



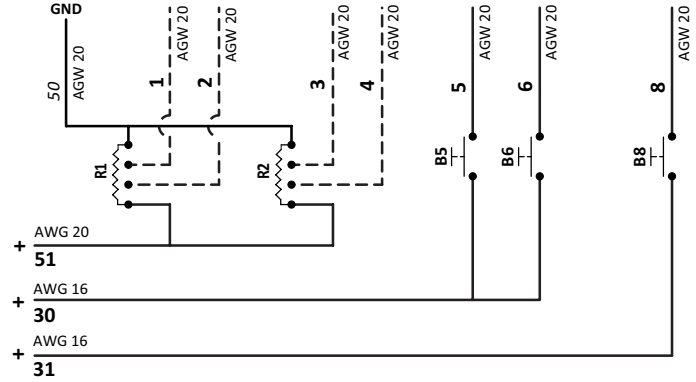
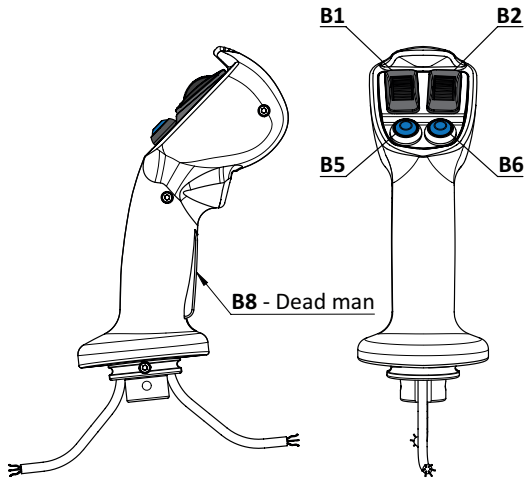
handle	front arrangement	rear arrangement
EHC1	F04	R03

Handle with 4 push-buttons in the front arrangement (B1, B2, B5 and B6) and 2 push-button in rear arrangement (B7 and dead man, B8).



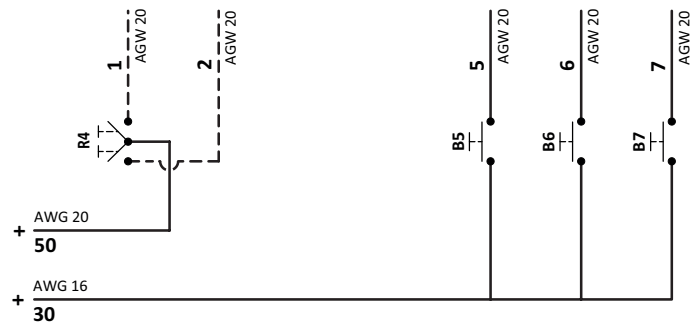
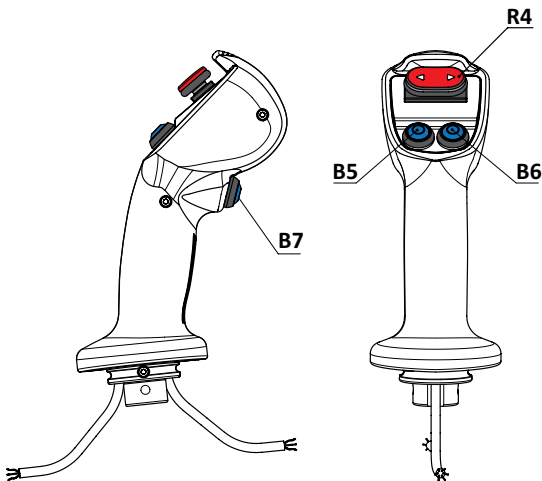
handle	front arrangement	rear arrangement
EHC1	F22	R02

Handle with 2 push-buttons (B5 and B6) and 2 Rollers (R1 and R2) in the front arrangement and 1 push-button in rear arrangement (dead man, B8).



handle	front arrangement	rear arrangement
EHC1	F52	R01

Handle with 2 push-buttons (B5 and B6) and 1 Rocker ON/OFF/ON (R4) in the front arrangement and 1 push-button in rear arrangement (B7).



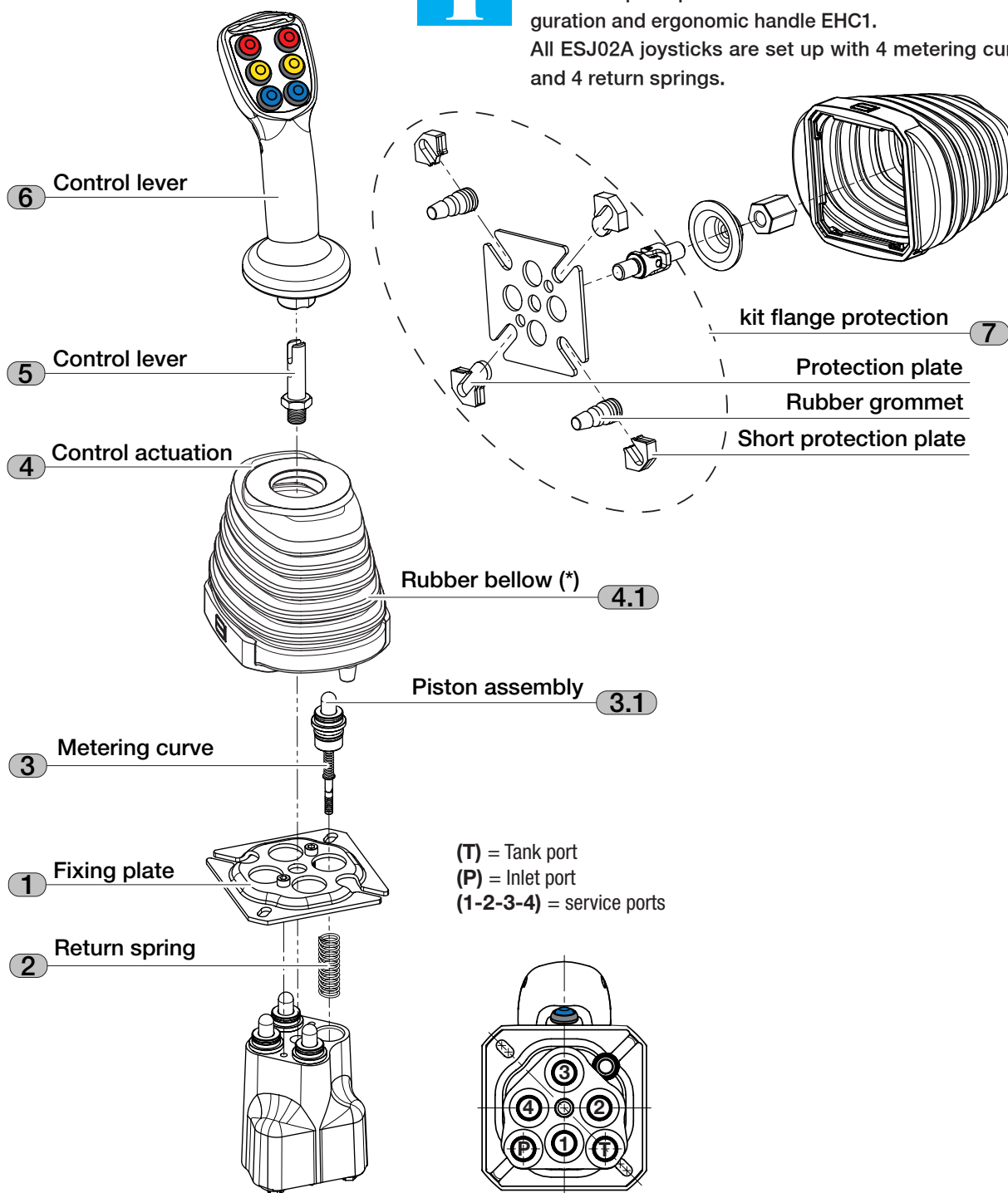
SPARE PARTS LIST



Note:

This example represents a ESJ02A with standard configuration and ergonomic handle EHC1.

All ESJ02A joysticks are set up with 4 metering curves and 4 return springs.



REFERENCE	CATALOGUE CODE	ORDER CODE	DESCRIPTION	NOTE
1	FP1	A01210002	Standard fixing plate	
2	S1	A01220001	Return spring (15 / 28 N) - [1.53 / 2.45 kgf]	Each ESJ02A contains 4 return springs
	S2	A01220002	Return spring (24 / 40 N) - [2.86 / 4.08 kgf]	



REFERENCE	CATALOGUE CODE	ORDER CODE	DESCRIPTION				NOTE
			P1 (bar-psi)	P2 (bar-psi)	S1 (mm-in)	S2 (mm-in)	
3	MV01	A01160002	5 - 72.5	25 - 362.5	1.2 - 0.05	7.2 - 0.28	METERING CURVE WITH STEP Each ESJ02A contains 4 metering curves
	MV02	A01160003	5.8 - 84.1	19.5 - 282.8			
	MV03	A01160020	5 - 72.5	22 - 319			
	MV04	A01160006	5 - 72.5	15 - 217.5			
	MV05	A01160022	5 - 72.5	20 - 290			
	MV06	A01160014	7.5 - 108.8	29 - 420.5			
	MV07	A01160021	8 - 116	28 - 406			
	MV08	A01160023	2 - 29	18 - 261			
	MV10	A01160011	7 - 101.5	17 - 246.5			
	MV11	A01160012	3 - 43.5	22.2 - 321.9			
	MV12	A01160010	6.8 - 98.6	23.5 - 340.8			
	MV13	A01160015	3 - 43.5	28 - 406			
	MV14	A01160016	14.7 - 213.2	28.4 - 411.8			
	MV16	A01160019	2 - 29	11.5 - 166.8			
	MV21	A01160034	5.8 - 84.1	18.3 - 265.4			
	MV22	A01160035	3.5 - 50.68	13.5 - 195.8			
	MV26	A01160048	2 - 29	26 - 377			
	MV35	A01160062	5 - 72.5	13.8 - 200.1			
	MV36	A01160063	5 - 72.5	18.2 - 263.9			
	MV37	A01160065	10 - 145	20 - 290			
MV40	A01160067	6 - 87	40 - 580				
	MZ01	A01160024	5 - 72.5	25 - 362.5	1.2 - 0.05	8 - 0.32	METERING CURVE WITHOUT STEP Each ESJ02A contains 4 metering curves
	MZ02	A01160025	5.8 - 84.1	19.5 - 282.8			
	MZ03	A01160004	5 - 72.5	22 - 319			
	MZ04	A01160026	5 - 72.5	15 - 217.5			
	MZ05	A01160027	5 - 72.5	20 - 290			
	MZ06	A01160028	7.5 - 108.8	29 - 420.5			
	MZ07	A01160029	8 - 116	28 - 406			
	MZ08	A01160030	2 - 29	18 - 261			
	MZ15	A01160017	5 - 72.5	16.3 - 236.4			
	MZ23	A01160037	1.2 - 17.4	18.9 - 274.1			
	MZ25	A01160049	4 - 58	18 - 261			
	MZ27	A01160050	5.5 - 79.8	29 - 420.5			
	MZ28	A01160051	3 - 43.5	24.8 - 359.6			
	MZ33	A01160057	2 - 29	19.3 - 279.9			
	3.1	A02050003		Piston assembly for metering curve With STEP			
A02050009		Piston assembly for metering curve Without STEP					

REFERENCE	CATALOGUE CODE	ORDER CODE	DESCRIPTION	NOTE
4	C01L	A01250008	Control actuation with standard bellow for BENT lever rod	ONLY WITH ACTUATION FOR LEFT HAND
	C01R	A01250020		ONLY WITH ACTUATION FOR RIGHT HAND
	C02L	A01250025		ONLY WITH ACTUATION FOR LEFT HAND
	C02R	A01250021		ONLY WITH ACTUATION FOR RIGHT HAND
	C03	A01250036	Control actuation with standard bellow for STRAIGHT lever rod	
	C04	A01250037	Control actuation with double bellow for STRAIGHT lever rod	
	C00	A01250022	Control actuation without bellows	
	C10	A01250023	Control actuation with internal protection bellow	
4.1	EIM120019		Straight rubber bellow	(*) rubber bellow code only for STRAIGHT lever
	P01120005		Mounting plate rubber bellow	(*) rubber bellow code only for BENT lever
5	L1	A01170007	Straight lever kit	Rod lever for handle EHC1
	L2	A01170006	Bent lever kit	
	L3	A01170020	Straight lever kit	Rod lever for handle EHM1, EHM2 and EHM3
	L4	A01170022	Bent lever kit	
6	EHM1	A01270003	Handle without micro-switch	
	EHM2	A01270004	Handle with one micro-switch	
	EHM3	A01270005	Handle with dual micro-switch	
	EHS2	A01170019	Handle with lens	
	EHS4	A01170018	Handle with knob	

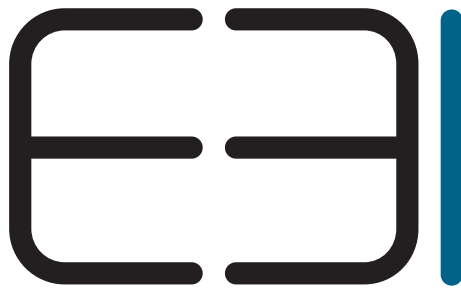


REFERENCE	CATALOGUE CODE	ORDER CODE	DESCRIPTION	NOTE
6	EHC1 F00 R00	A01270020	FRONT: No buttons REAR: No buttons	
	EHC1 F00 R01	A01270033	FRONT: No buttons REAR: 1 button	
	EHC1 F00 R02	A01270046	FRONT: No buttons REAR: Dead-man	
	EHC1 F00 R03	A01270013	FRONT: No buttons REAR: 1 button + dead-man	
	EHC1 F01 R00	A01270021	FRONT: 1 button REAR: No buttons	
	EHC1 F01 R01	A01270034	FRONT: 1 button REAR: 1 button	
	EHC1 F01 R02	A01270047	FRONT: 1 button REAR: Dead-man	
	EHC1 F01 R03	A01270012	FRONT: 1 button REAR: 1 button + dead-man	
	EHC1 F02 R00	A01270022	FRONT: 2 buttons REAR: No buttons	
	EHC1 F02 R01	A01270035	FRONT: 2 buttons REAR: 1 button	
	EHC1 F02 R02	A01270048	FRONT: 2 buttons REAR: Dead-man	
	EHC1 F02 R03	A01270010	FRONT: 2 buttons REAR: 1 button + dead-man	
	EHC1 F03 R00	A01270023	FRONT: 3 buttons REAR: No buttons	
	EHC1 F03 R01	A01270036	FRONT: 3 buttons REAR: 1 button	
	EHC1 F03 R02	A01270049	FRONT: 3 buttons REAR: Dead-man	
	EHC1 F03 R03	A01270010	FRONT: 3 buttons REAR: 1 button + dead-man	
	EHC1 F04 R00	A01270024	FRONT: 4 buttons REAR: No buttons	
	EHC1 F04 R01	A01270037	FRONT: 4 buttons REAR: 1 button	
	EHC1 F04 R02	A01270050	FRONT: 4 buttons REAR: Dead-man	
	EHC1 F04 R03	A01270009	FRONT: 4 buttons REAR: 1 button + dead-man	
	EHC1 F05 R00	A01270025	FRONT: 5 buttons REAR: No buttons	
	EHC1 F05 R01	A01270038	FRONT: 5 buttons REAR: 1 button	
	EHC1 F05 R02	A01270051	FRONT: 5 buttons REAR: Dead-man	
	EHC1 F05 R03	A01270008	FRONT: 5 buttons REAR: 1 button + dead-man	

REFERENCE	CATALOGUE CODE	ORDER CODE	DESCRIPTION	NOTE
6	EHC1 F06 R00	A01270026	FRONT: 6 buttons REAR: No buttons	
	EHC1 F06 R01	A01270039	FRONT: 6 buttons REAR: 1 button	
	EHC1 F06 R02	A01270052	FRONT: 6 buttons REAR: Dead-man	
	EHC1 F06 R03	A01270007	FRONT: 6 buttons REAR: 1 button + dead-man	
	EHC1 F11 R00	A01270027	FRONT: 1 roller + 1 button REAR: No buttons	
	EHC1 F11 R01	A01270040	FRONT: 1 roller + 1 button REAR: 1 button	
	EHC1 F11 R02	A01270053	FRONT: 1 roller + 1 button REAR: Dead-man	
	EHC1 F11 R03	A01270017	FRONT: 1 roller + 1 button REAR: 1 button + dead-man	
	EHC1 F12 R00	A01270028	FRONT: 1 roller + 2 buttons REAR: No buttons	
	EHC1 F12 R01	A01270041	FRONT: 1 roller + 2 buttons REAR: 1 button	
	EHC1 F12 R02	A01270054	FRONT: 1 roller + 2 buttons REAR: Dead-man	
	EHC1 F12 R03	A01270016	FRONT: 1 roller + 2 buttons REAR: 1 button + dead-man	
	EHC1 F21 R00	A01270029	FRONT: 2 roller + 1 button REAR: No buttons	
	EHC1 F21 R01	A01270042	FRONT: 2 roller + 1 button REAR: 1 button	
	EHC1 F21 R02	A01270055	FRONT: 2 roller + 1 button REAR: Dead-man	
	EHC1 F21 R03	A01270015	FRONT: 2 roller + 1 button REAR: 1 button + dead-man	
	EHC1 F22 R00	A01270030	FRONT: 2 roller + 2 buttons REAR: No buttons	
	EHC1 F22 R01	A01270043	FRONT: 2 roller + 2 buttons REAR: 1 button	
	EHC1 F22 R02	A01270056	FRONT: 2 roller + 2 buttons REAR: Dead-man	
	EHC1 F22 R03	A01270014	FRONT: 2 roller + 2 buttons REAR: 1 button + dead-man	
	EHC1 F31 R00	A01270031	FRONT: 1 roller (orr) + 1 button REAR: No buttons	
	EHC1 F31 R01	A01270044	FRONT: 1 roller (orr) + 1 button REAR: 1 button	
	EHC1 F31 R02	A01270057	FRONT: 1 roller (orr) + 1 button REAR: Dead-man	
	EHC1 F31 R03	A01270019	FRONT: 1 roller (orr) + 1 button REAR: 1 button + dead-man	



REFERENCE	CATALOGUE CODE	ORDER CODE	DESCRIPTION	NOTE
6	EHC1 F32 R00	A01270032	FRONT: 1 roller (orr) + 2 buttons REAR: No buttons	
	EHC1 F32 R01	A01270045	FRONT: 1 roller (orr) + 2 buttons REAR: 1 button	
	EHC1 F32 R02	A01270058	FRONT: 1 roller (orr) + 2 buttons REAR: Dead-man	
	EHC1 F32 R03	A01270018	FRONT: 1 roller (orr) + 2 buttons REAR: 1 button + dead-man	
	EHC1 F51 R00	A01270064	FRONT: 1 rocker + 1 button REAR: No buttons	
	EHC1 F51 R01	A01270078	FRONT: 1 rocker + 1 button REAR: 1 button	
	EHC1 F51 R02	A01270079	FRONT: 1 rocker + 1 button REAR: Dead-man	
	EHC1 F51 R03	A01270080	FRONT: 1 rocker + 1 button REAR: 1 button + dead-man	
	EHC1 F52 R00	A01270081	FRONT: 1 rocker + 2 buttons REAR: No buttons	
	EHC1 F52 R01	A01270059	FRONT: 1 rocker + 2 buttons REAR: 1 button	
	EHC1 F52 R02	A01270071	FRONT: 1 rocker + 2 buttons REAR: Dead-man	
	EHC1 F52 R03	A01270082	FRONT: 1 rocker + 2 buttons REAR: 1 button + dead-man	
7		A01000004	Kit flange protection	Each kit contains: n.2 rubber grommet n.2 protection plate n.2 short protection plate



engineering beyond imagination

EBI MOTION CONTROLS S.r.l

Via Andrea Costa 11/2 40057
Cadriano Fraz. di Granarolo dell'Emilia (BO)
TEL. +39 051.0188.800
FAX 051.701.093

info@ebimc.com
www.ebimc.com