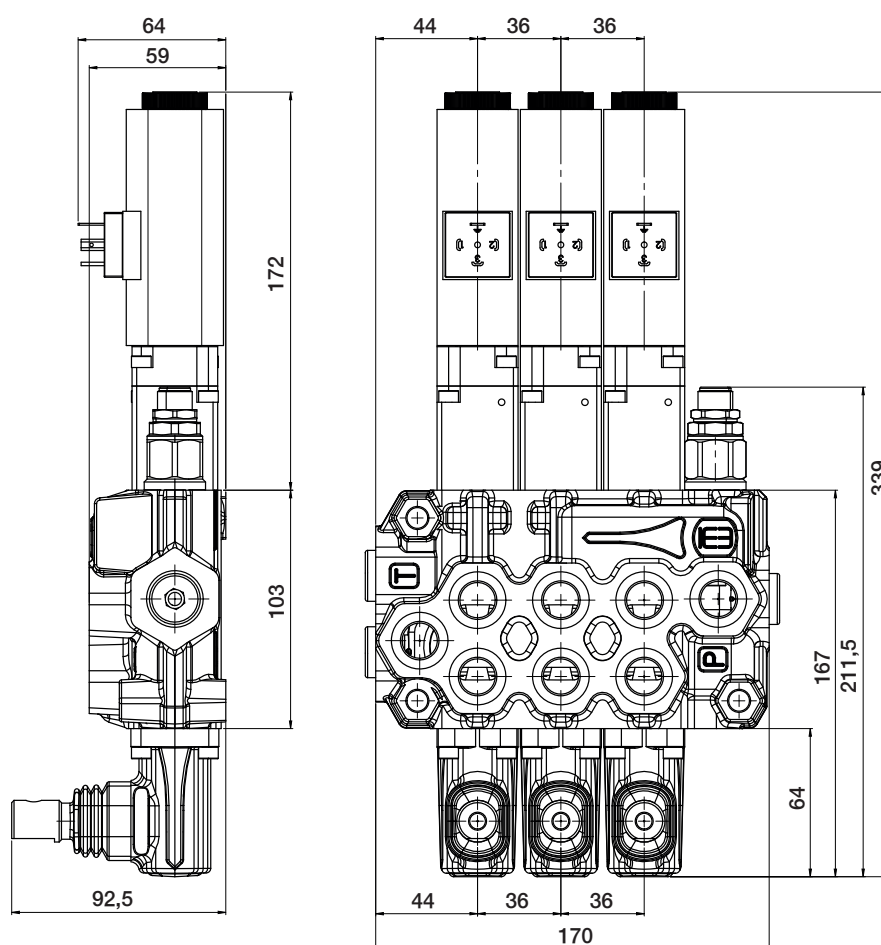


### FUNCTIONS AND BENEFITS

- The direct electric control PUSH-PULL is suitable for many different mobile applications.
- It allows the remote activation of the valve through the use of electrical on/off switches.
- Allows the use of an override lever actuation for safety.
- The PUSH-PULL actuation needs a special spool.

### DIMENSIONS

- The dimensional drawing represents a ECM08B/3 with direct electric control PUSH-PULL.



### TECHNICAL SPECIFICATIONS

<b>Input tension</b>	12 VDC - 24 VDC
<b>Permitted working voltage</b>	±10% nominal
<b>Power consumption</b>	60 W
<b>ED</b>	100%
<b>Ohms resistance (cold T°)</b>	2,45 Ω - 9,65 Ω
<b>Intensity of current (cold T°)</b>	5 A - 2,5 A
<b>Ambient operating temperature range</b>	-25°C / +50°C
<b>Protection class</b>	IP65
<b>Insulation class</b>	H
<b>Standard connector</b>	DIN 43650

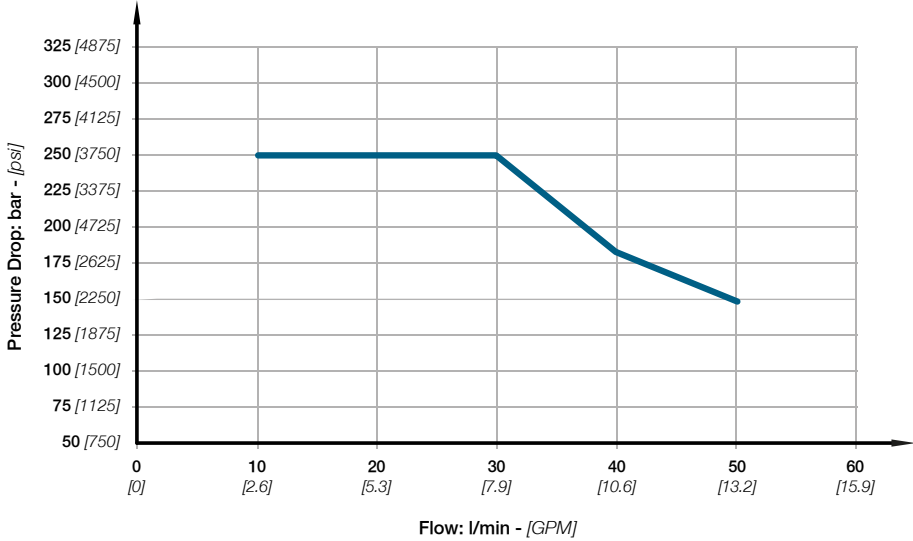
# ECM08B

Direct electric control - PUSH PULL Actuation



### OPERATING LIMIT CURVE

Pressure characteristic as function of flow



MECHANICAL AND HYDRAULIC FEATURES	
Max flow vs pressure	see diagram
Max back pressure	5 bar - 70 PSI
Operating oil temperature	50°C - 122°F

