

ESP02B

Single pedal pilot control valve

DT.ESP02B.02

FUNCTIONS AND BENEFITS

- Compact and light weight.
- Progressive and sensitive operation.
- Precise pressure control.
- Low operating effort.
- Optimised angular movements of foot pedal.
- Control element protected with rubber bellow.
- High durability and maintenance free.

TECHNICAL DATA

Maximum input pressure:

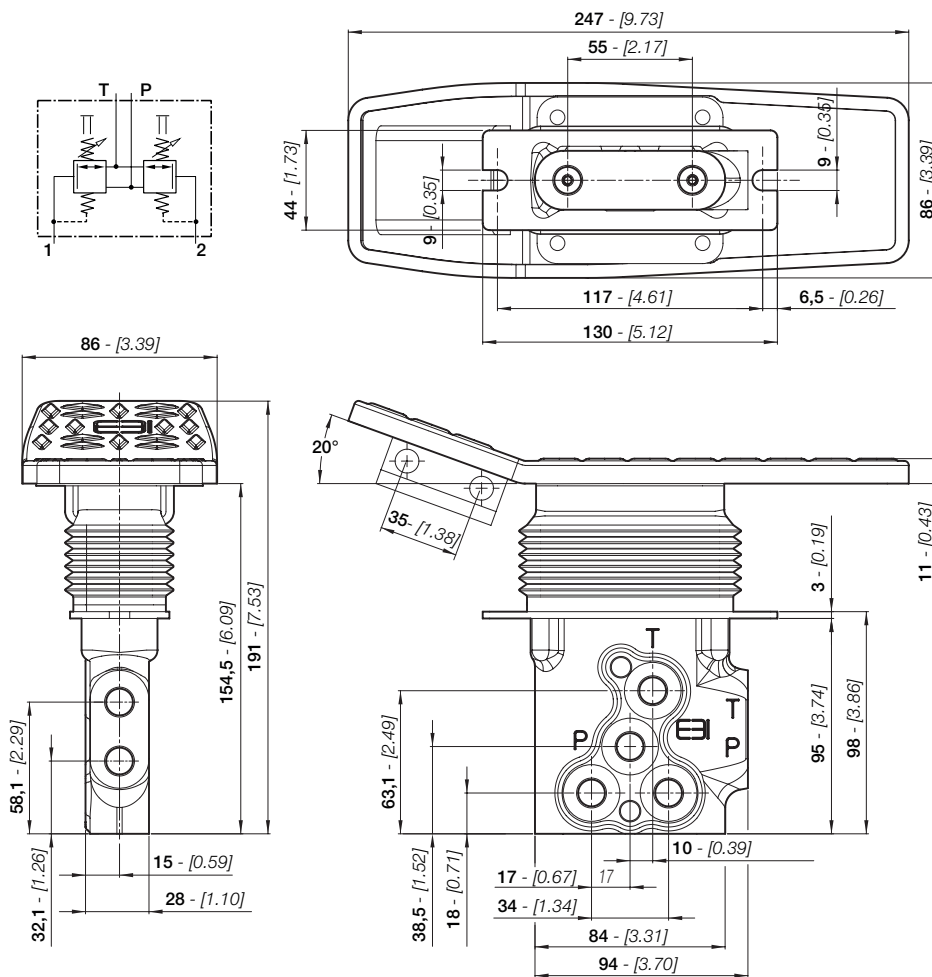
100 bar - [1450 psi]

Max backpressure on tank line:

3 bar - [43.5]

Control max flow on ports:

15 l/min - [4 GPM]



DIMENSIONS

The dimensional drawing represents a ESP02B with standard assembly and BSP connections. The special design with narrow body is suitable for use on small machines.

TYPE	BSP (ISO 1179-1)	UN-UNF (ISO 11926-1)
INLET - P	G 1/4	9/16" - 18 UNF
PORTS - 1/2	G 1/4	9/16" - 18 UNF
OUTLET - T	G 1/4	9/16" - 18 UNF

ESP02B

Single pedal pilot control valve



TYPICAL CURVES

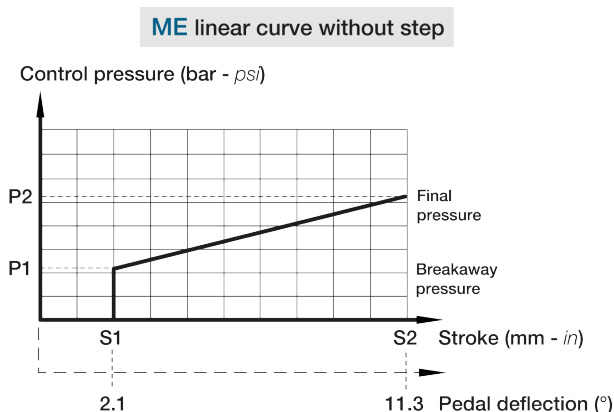
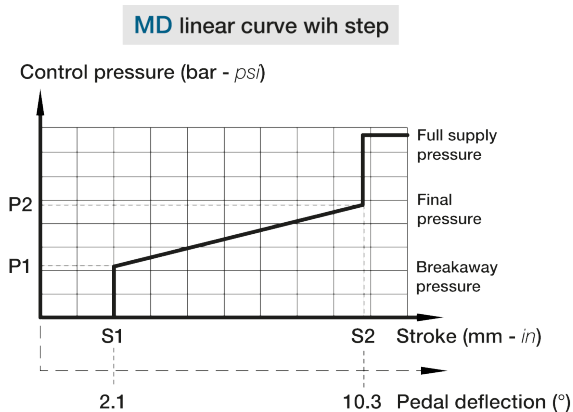
All ESP02B servocontrols are equipped with 2 metering curves (one metering curve each service port). ESP02B tilting foot controls imply the use of limited stroke dedicated curves guaranteeing improved control ergonomics.

The metering curve classification depends on the control pressure (bar - psi) and stroke length (mm - in).

Currently two types of metering curves are available:

- **Linear curve with step (MD type)**
- **Linear curve without step (ME type)**

All metering curves are interchangeable.



APPLICATIONS

EBI motion controls servocontrols foot pedals are used to control the work and drive hydraulics of modern mobile machines with high accuracy, safety and optimal performance.

ESP02B are suited for specialized applications for a variety of mobile equipment such as:



OPTIONAL FEATURES

- ESP02B can be supplied also with dumping system; are required two special metering curves:
 - Dumping system with step (MF type)**
 - Dumping system without step (MG type).**