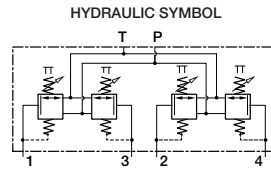
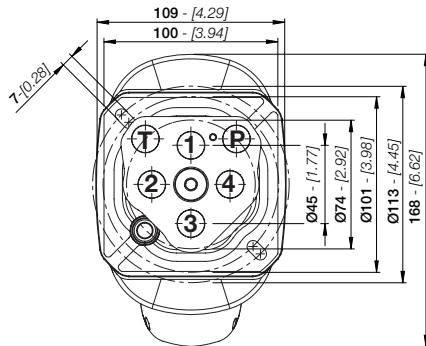


FUNCTIONS AND BENEFITS

- Small dimensions enable simple, compact installation.
- Robust, simple design gives great reliability and easy servicing.
- Comfort driven: 30% lever force reduction (5 mm piston instead of 6 mm)
- Progressive and sensitive operation.
- Precise control, precise metering.
- High durability and Maintenance free.

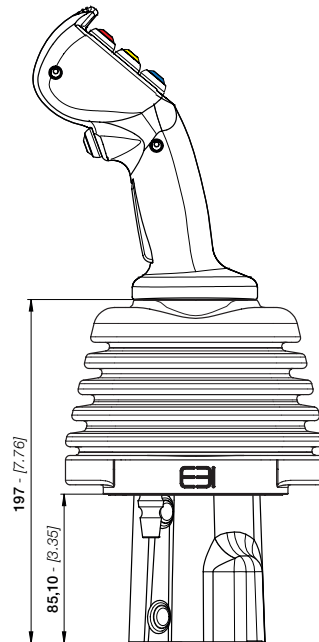
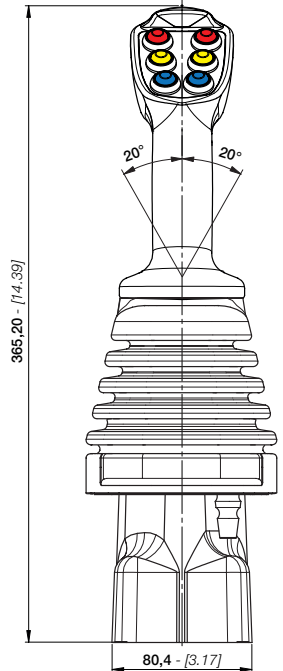
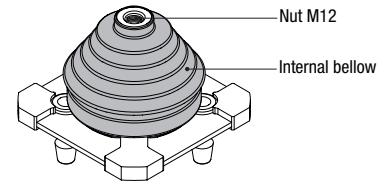
TECHNICAL DATA

Maximum input pressure:
100 bar - [1450 psi]
 Max backpressure on tank line:
3 bar - [43.5]
 Control max flow on ports:
15 l/min - [4 GPM]



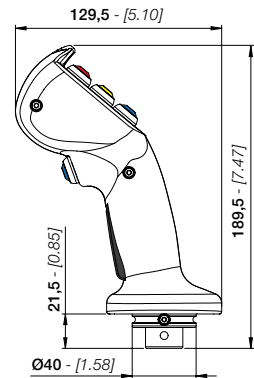
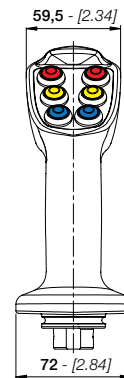
BETTER PROTECTION

Internal rubber bellow option:
 to better protect plungers from dirt and contamination.



EHC1 HANDLE

EHC1 is designed to guarantee flexibility and high level of customization. The ergonomic shape allows long duty cycles and excellent comfort for the operator. A wide range of configurable options (buttons, rollers, switches, rockers) allow to fit various machines design in terms of shape, layout and color.



DIMENSIONS

The dimensional drawing represents a ESJ02A with with ergonomic handle EHC1 and SAE connections. You can configure a ESJ02A with several different types of handle.

TYPE	BSP (ISO 1179-1)	UN-UNF (ISO 11926-1)
INLET - P	G 1/4	9/16" - 18 UNF
PORTS - 1/2/3/4	G 1/4	9/16" - 18 UNF
OUTLET - T	G 1/4	9/16" - 18 UNF

ESJ02A

Double axis pilot control lever



TYPICAL CURVES

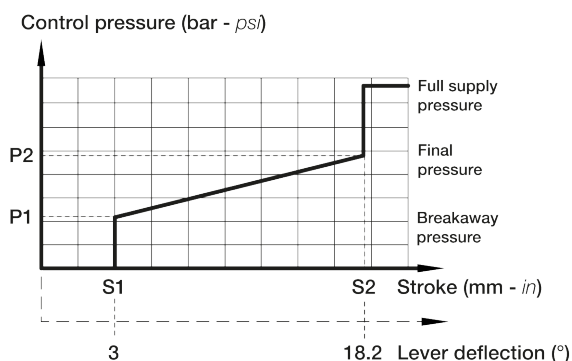
All ESJ02A servocontrols are equipped with 4 metering curves (one metering curve each service port). The metering curve classification depends on the control pressure (bar - psi) and stroke length (mm - in).

Currently two types of metering curves are available:

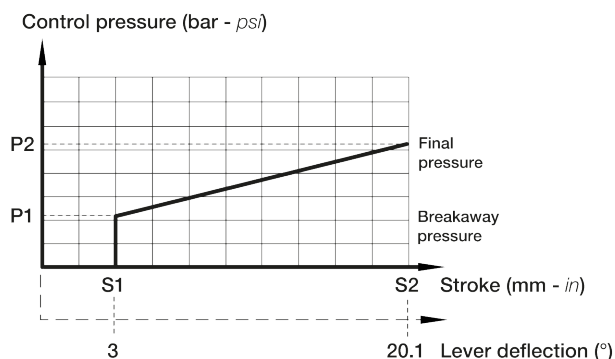
- **Linear curve with step (MV type)**
- **Linear curve without step (MZ type)**

All metering curves are interchangeable.

MV linear curve with step



MZ linear curve without step

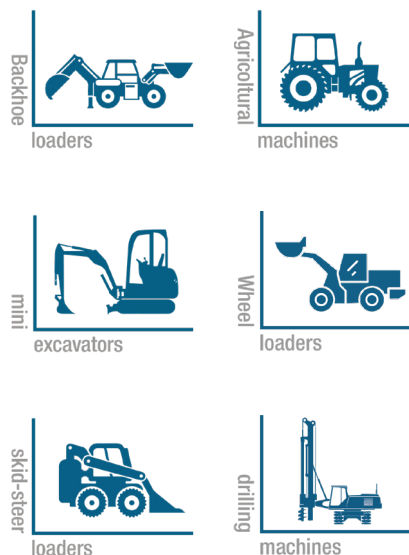


FULLY INTERCHANGEABLE WITH MOST OF COMPETITOR'S JOYSTICKS

APPLICATIONS

EBC motion controls servocontrols joysticks are used to control the work and drive hydraulics of modern mobile machines with high accuracy, safety and optimal performance.

ESJ02A are suited for specialized applications for a variety of mobile equipment such as:



OPTIONAL FEATURES

- On request are available broken line metering curves with step and broken line metering curves without step.
- On request it is available arrangement body with shuttle valves. This application requires a special casting and special configuration.